

PARTS CATALOG

**EXCAVATOR
R140LC-7A**

HYUNDAI

Use the bookmarks for navigation inside the Parts book

EXCAVATOR R140LC-7A

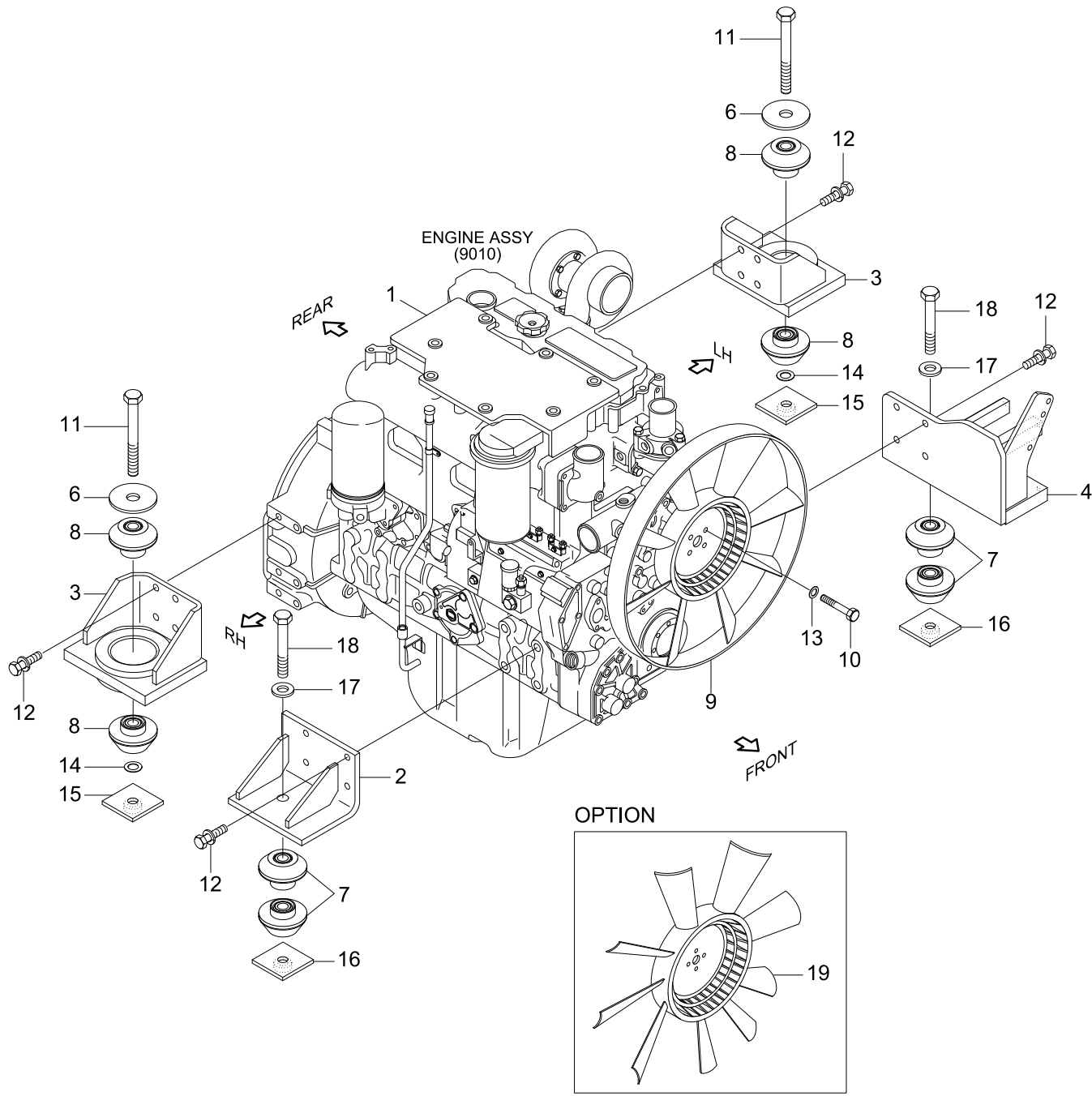
1	ENGINE SYSTEM		
1010	ENGINE MOUNTING		2010. 6.30 REV.10F
1020	AIR INTAKE SYSTEM		2007.12.31 REV.7M
1030	EXHAUST SYSTEM		
1040	COOLING SYSTEM		2008. 11.30 REV.8L
1050	RADIATOR ASSY		
1060	FUEL SYSTEM		2009. 9. 1 REV.9J
1070	FUEL TANK		2008. 7.31 REV.8G
1100	AIRCON & HEATER MOUNTING-ENGINE		2010. 6.30 REV.10F
1110	AIRCON & HEATER MOUNTING-CABIN		2010. 6.30 REV.10F
1120	AIR CONDITIONER MOUNTING-ENGINE		2010. 6.30 REV.10F
1130	AIR CONDITIONER MOUNTING-CABIN		2010. 6.30 REV.10F
1140	HEATER MOUNTING-ENGINE		2008. 4.30 REV.8D
1150	HEATER MOUNTING-CABIN		
1160	AIRCON & HEATER UNIT		2010. 6.30 REV.10F
1170	AIR CONDITIONER UNIT		2010. 6.30 REV.10F
1180	HEATER UNIT		
1190	AIRCON & HEATER UNIT-FATC		2010. 6.30 REV.10F
2	ELECTRIC SYSTEM		
2010	RH ELECTRIC		2008. 11.30 REV.8L
2020	LH ELECTRIC		2008. 11.30 REV.8L
2030	BOOM ELECTRIC		2008. 11.30 REV.8L
2040	ENGINE ELECTRIC		
2050	ELECTRIC BOX		2008. 11.30 REV.8L
2060	CAB ELECTRIC 1		2010. 2.28 REV.10B
2070	CAB ELECTRIC 2		2010. 2.28 REV.10B
2080	BOTTOM ELECTRIC		2007. 5.31 REV.7E
2085	ELEC CAB LAMP SUB ASSY(OPTION)		2008. 10.31 REV.8K
2090	CLUSTER		2008. 4.30 REV.8D
2100	FUSE BOX		
2200	FUEL FILLER PUMP(-#0243)	- #0243	2008. 11.30 REV.8L
2201	FUEL FILLER PUMP(#0244-)	#0244 -	2008. 11.30 REV.8L
3	HYDRAULIC SYSTEM		
3010	PUMP MOUNTING		
3020	HYDRAULIC TANK		
3100	UPPER HYD PIPING(BASE)		2008. 6.30 REV.8F
3110	UPPER HYD PIPING(TRAVEL)		
3120	UPPER HYD PIPING(ATTACH)		
3130	UPPER HYD PIPING (1/2, ADJUST BOOM)		
3140	UPPER HYD PIPING (2/2, ADJUST BOOM)		2007.10.31 REV.7K
3200	PILOT HYD PIPING(CONTROL 1)		
3210	PILOT HYD PIPING(CONTROL 2)		
3220	PILOT HYD PIPING(BASE 1)		
3230	PILOT HYD PIPING(BASE 2)		2008. 6.30 REV.8F
3240	PILOT HYD PIPING(BASE 3)		
3250	PILOT HYD PIPING(BASE 4)		2008. 6.30 REV.8F
3260	PILOT HYD PIPING(BASE 5)		2008. 6.30 REV.8F
3270	PILOT HYD PIPING(BASE 6)		
3280	PILOT HYD PIPING(ADJUST BOOM)		
3300	TRAVEL HYD PIPING		
3310	TRAVEL HYD PIPING(R140LCM-7A)		2009. 3.30 REV.9C
3400	BOOM HYD PIPING(4.6M, STD)		2008. 6.30 REV.8F
3410	BOOM GREASE LUB SYSTEM(4.6M, STD)		2008. 6.30 REV.8F
3420	BOOM SAFETY LOCK SYSTEM		2008. 6.30 REV.8F
3430	QUICK CLAMP HYD PIPING		2008. 8.31 REV.8H
3440	BOOM HYD PIPING(4.1M)		2008. 6.30 REV.8F
3450	BOOM GREASE LUB SYSTEM(4.1M)		2008. 6.30 REV.8F
3460	BOOM HYD PIPING(ADJUST BOOM)		2008. 6.30 REV.8F
3470	BOOM GREASE LUB SYS(ADJUST BOOM)		2008. 6.30 REV.8F

3500	ARM HYDRAULIC PIPING		
3510	ARM HYD PIPING(3.0M, LONG)		
3520	ARM SAFETY LOCK SYSTEM		2008. 8.31 REV.8H
3600	DOZER HYD PIPING(UPPER)		
3610	DOZER HYD PIPING(LOWER)		2008. 6.30 REV.8F
3700	SINGLE ACTING HYD PIPING KIT 1		
3710	SINGLE ACTING HYD PIPING KIT 2		
3711	SINGLE ACTING HYD PIPING KIT 3		
3712	SINGLE ACTING HYD PIPING KIT 4		
3720	DOUBLE ACTING HYD PIPING KIT 1		
3730	DOUBLE ACTING HYD PIPING KIT 2		
3740	DOUBLE ACTING HYD PIPING KIT 3		
3750	DOUBLE ACTING HYD PIPING KIT 4		
3751	DOUBLE ACTING HYD PIPING KIT 5		
3752	DOUBLE ACTING HYD PIPING KIT 6		
3760	DOUBLE ACTING ATTACH PIPING KIT		
3762	DOUBLE ACTING ATTACH PIPING KIT		
3765	DOUBLE ACTING MAIN PIPING KIT		
3770	DOUBLE ACTING MAIN PIPING KIT		
3780	SINGLE ACTING MAIN PIPING KIT		
3790	ADJUST BOOM ATTACH PIPING KIT		
3800	S/ACT MAIN PIPING KIT(ADJUST BOOM)		
3810	D/ACT MAIN PIPING KIT(ADJUST BOOM)		
3900	BREAKER CRUSHER MAIN PIPING		
3910	BREAKER CRUSHER ATTACH PIPING		
4	HYDRAULIC COMPONENT		
4010	MAIN PUMP		
4020	REGULATOR		
4030	GEAR PUMP		
4040	MAIN CONTROL VALVE(1/4)		
4050	MAIN CONTROL VALVE(2/4)		2007. 8.31 REV.7H
4060	MAIN CONTROL VALVE(3/4)		
4070	MAIN CONTROL VALVE(4/4)		
4100	SWING MOTOR		
4110	SWING REDUCTION GEAR		
4120	REMOTE CONTROL LEVER		
4130	REMOTE CONTROL PEDAL		
4140	TRAVEL MOTOR(1/3)		
4150	TRAVEL MOTOR(2/3)		
4160	TRAVEL MOTOR(3/3)		
4170	TRAVEL REDUCTION GEAR		
4171	TRAVEL MOTOR(1/2, TYPE 1, LCM-7A)		2007.10.31 REV.7K
4172	TRAVEL MOTOR(2/2, TYPE 1, LCM-7A)		
4173	TRAVEL REDUCTION GEAR(TYPE 1, LCM-7A)		
4175	TRAVEL MOTOR(1/2, TYPE 2, LCM-7A)	#0508 -	2009. 1.31 REV.9A
4176	TRAVEL MOTOR(2/2, TYPE 2, LCM-7A)	#0508 -	2009. 1.31 REV.9A
4177	TRAVEL REDUCTION GEAR(TYPE 2, LCM-7A)	#0508 -	2009. 1.31 REV.9A
4180	TURNING JOINT		
4190	TURNING JOINT(R140LCD-7A)		
4200	BOOM CYLINDER		
4210	ARM CYLINDER		2008. 6.30 REV.8F
4220	BUCKET CYLINDER		
4230	DOZER BLADE CYLINDER(R140LCD-7A)		
4240	SOLENOID VALVE		
4250	ADJUST CYLINDER(ADJUST BOOM)		2008. 7.31 REV.8G
4260	BOOM CYLINDER(ADJUST BOOM)		
4300	SINGLE PEDAL(DOUBLE ACTING)		
4310	QUICK CLAMP(HOOK TYPE)		
4320	QUICK CLAMP(CLOSED TYPE)		
4330	QUICK CLAMP(HOOK TYPE)		
4340	QUICK CLAMP(CLOSED TYPE)		
4400	QUICK CLAMP CYLINDER		

5	UNDERCARRIAGE		
5010	UNDERCARRIAGE MOUNTING		
5020	LOWER ROLLER		
5030	UPPER ROLLER		2008. 9.30 REV.8J
5040	IDLER		
5050	ADJUST COMPONENT		
5060	TRACK CHAIN		2010. 6.30 REV.10F
5110	UNDERCARRIAGE(R140LCM-7A)		
5120	ROLLER(R140LCM-7A)		
5130	IDLER(R140LCM-7A)		
5140	ADJUST COMPONENT(R140LCM-7A)		
6	STRUCTURE		
6010	CAB MOUNTING		2009. 12.10 REV.9M
6020	CAB ASSY(1/6, STD & FOG TYPE, -#0180)	- #0180	2009. 12.31 REV.9M
6021	CAB ASSY(1/6, STD & FOG TYPE, #0181-)	#0181 -	2009.12.30 REV.9M
6025	CAB ASSY(1/6, ROOF TYPE, -#0180)	- #0180	2009. 12.31 REV.9M
6026	CAB ASSY(1/6, ROOF TYPE, #0181-)	#0181 -	2009.12.30 REV.9M
6030	CAB ASSY(2/6, -#0180)	- #0180	2008. 4.30 REV.8D
6031	CAB ASSY(2/6, #0181-)	#0181 -	2008. 11.30 REV.8L
6040	CAB ASSY(3/6)		2007.12.31 REV.7M
6050	CAB ASSY(4/6, DOOR)		2008. 11.30 REV.8L
6060	CAB ASSY(5/6, SASH ASSY)		
6070	CAB ASSY(6/6, DOOR LATCH ASSY)		
6080	CAB INTERIOR 1(-#0180)	- #0180	2008. 4.30 REV.8D
6081	CAB INTERIOR 2(-#0180)	- #0180	2008. 4.30 REV.8D
6082	CAB INTERIOR 1(#0181-)	#0181 -	2008. 4.30 REV.8D
6083	CAB INTERIOR 2(#0181-)	#0181 -	2008. 4.30 REV.8D
6090	CAB INTERIOR 2		
6100	CONSOLE BOX 1(LH, -#0180)	- #0180	2008. 4.30 REV.8D
6101	CONSOLE BOX 1(LH, #0181-)	#0181 -	2008. 4.30 REV.8D
6105	CONSOLE BOX 1(LH, R140LCD-7A)		
6110	CONSOLE BOX 2(LH)		
6111	CONSOLE BOX 2(LH, #0181-)	#0181 -	2008. 4.30 REV.8D
6120	CONSOLE BOX(RH, -#0180)	- #0180	2008. 4.30 REV.8D
6121	CONSOLE BOX(RH, #0181-)	#0181 -	2008. 4.30 REV.8D
6130	SEAT BASE ASSY		
6140	SEAT(SUSPENSION)		
6141	SEAT(SUSPENSION, 2" AIR RIDE)		
6142	SEAT(SUSPENSION, HEATED)		
6150	STORAGE BOX COVER ASSY		
6160	BOTTOM PLATE MOUNTING(-#0180)	- #0180	2008. 4.30 REV.8D
6161	BOTTOM PLATE MOUNTING(#0181-)	#0181 -	2008. 4.30 REV.8D
6170	PROTECTOR(R140LCM-7A)		2008. 8.31 REV.8H
6200	COWLING		2008. 7.31 REV.8G
6210	SIDE COWL ASSY(LH)		
6220	AIR CLEANER ASSY		
6230	SIDE COVER ASSY(LH)		
6240	SIDE COWL ASSY(RH)		2008. 7.31 REV.8G
6250	ENGINE HOOD		2007.12.31 REV.7M
6260	UNDER COVER		2009. 7.22 REV.9G
6270	TOOL BOX MOUNTING		2008. 7.31 REV.8G
6280	TOOL BOX		2008. 8.31 REV.8H
6290	GROMMET GROUP		2007.10.31 REV.7K
6400	UPPER FRAME & COUNTERWEIGHT		2007.10.31 REV.7K
6410	LOWER FRAME & COVER		2010. 6.30 REV.10F
6420	SWING RING GREASE LUB SYSTEM		2010. 6.31 REV.10G
6430	DOZER BLADE(R140LCD-7A)		
6500	CAB PROTECTOR ASSY(OPTION)		2008. 10.31 REV.8K
7	ATTACHMENT		
7010	BOOM MOUNTING(4.6M, STD)		2009. 4.16 REV.9D
7020	ADJUST BOOM MOUNTING		2009. 4.16 REV.9D
7100	BOOM(4.6M, STD)		2010. 3.31 REV.10C

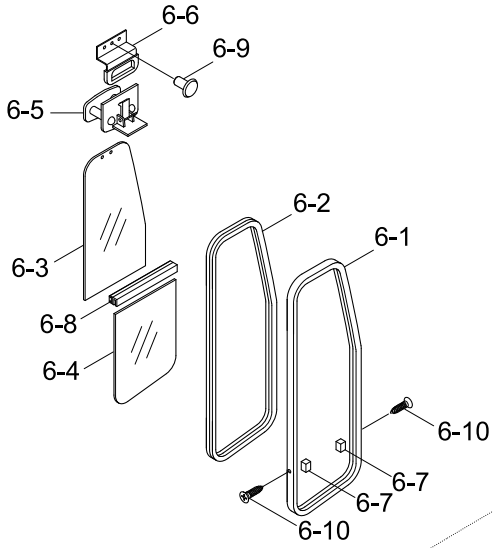
7110	BOOM(4.1M, OPT)		2010. 3.31 REV.10C
7120	BOOM(ADJUST BOOM)		
7200	ARM(2.5M, STD)		
7210	ARM(1.9M)		
7220	ARM(2.1M)		2007. 6.30 REV.7F
7230	ARM(3.0M)		
7300	BUCKET CONTROL GROUP		
7310	BUCKET(0.58M3 SAE HEAPED, STD)		2008. 7.31 REV.8G
7320	BUCKET(0.23M3 SAE HEAPED)		2008. 7.31 REV.8G
7330	BUCKET(0.40M3 SAE HEAPED)		2008. 7.31 REV.8G
7340	BUCKET(0.46M3 SAE HEAPED)		2008. 7.31 REV.8G
7350	BUCKET(0.52M3 SAE HEAPED)		2008. 7.31 REV.8G
7360	BUCKET(0.65M3 SAE HEAPED)		2008. 7.31 REV.8G
7370	BUCKET(0.71M3 SAE HEAPED)		2008. 7.31 REV.8G
7380	BUCKET(0.45M3 SAE HEAPED, D/CLEANING)		2008. 7.31 REV.8G
7390	BUCKET(0.55M3 SAE HEAPED, S/FINISHING)		2008. 7.31 REV.8G
8	OTHERS		
8010	TOOLS		
8050	HRDT 2.0 TOOL KIT		
8100	DECALS		2010. 5.31 REV.10E
9	ENGINE BASE		
9010	CYLINDER HEAD		2007.12.31 REV.7M
9020	VALVE MECHANISM		2007.12.31 REV.7M
9030	ROCKER COVER		2007. 8.31 REV.7H
9040	CAMSHAFT		2007.12.31 REV.7M
9050	CRANKCASE		2007. 8.31 REV.7H
9060	LIFTING EYE		2007.12.31 REV.7M
9070	MAIN BEARING		
9080	TIMING GEAR CASE 1		2007.12.31 REV.7M
9090	WATER PUMP		2007. 8.31 REV.7H
9100	TIMING GEAR CASE 2		2007.12.31 REV.7M
9110	FLYWHEEL HOUSING		2007.12.31 REV.7M
9120	OIL PAN		2007.12.31 REV.7M
9130	PISTON		2007. 9.30 REV.7J
9140	CONNECTING ROD		2007.12.31 REV.7M
9150	CRANKSHAFT & PULLEY		2007.12.31 REV.7M
9160	FLYWHEEL		2007.12.31 REV.7M
9170	TIMING GEAR		2007.12.31 REV.7M
9180	INLET SYSTEM		2007.12.31 REV.7M
9190	EXHAUST SYSTEM		
9200	TURBOCHARGER		2007.12.31 REV.7M
9210	TURBOCHARGER PIPING		2007.12.31 REV.7M
9220	OIL STRAINER		
9230	OIL COOLER		2007.12.31 REV.7M
9240	OIL FILTER		2007.12.31 REV.7M
9250	BREATHER		
9260	WATER PUMP PULLEY & V-BELT		2008. 9.30 REV.8J
9270	COOLING SYSTEM		2007.12.31 REV.7M
9280	FUEL SYSTEM		2008. 9.30 REV.8J
9290	FUEL FILTER		2008. 9.30 REV.8J
9300	INJECTION PUMP GENERAL		2009. 4.27 REV.9D
9310	STARTER (24V-5KW)		2007.12.31 REV.7M
9320	AIR HEATER & WIRE		
9330	ALTERNATOR(GENERAL)		2007.12.31 REV.7M
9340	ALTERNATOR (24V-50A)		2007. 8.31 REV.7H
9350	ENGINE CONTROL		2008. 9.30 REV.8J
9360	INSTRUMENT 1		2007. 8.31 REV.7H
9370	INSTRUMENT 2		2007.12.31 REV.7M
9380	INSTRUMENT 3		2007.12.31 REV.7M

ENGINE MOUNTING

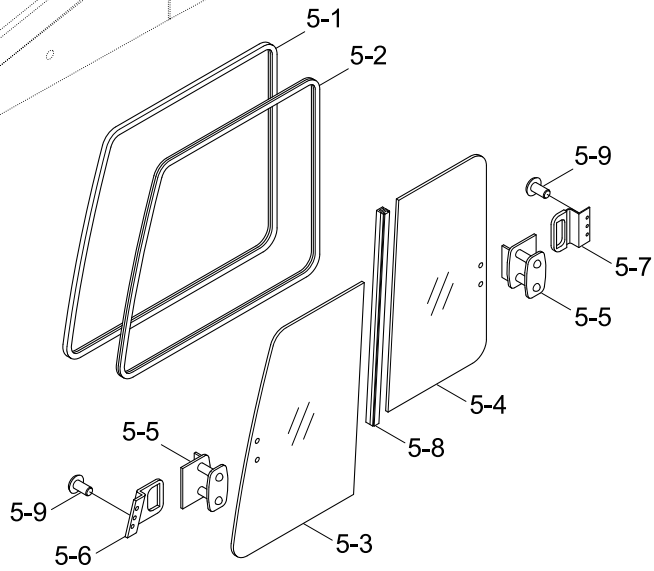
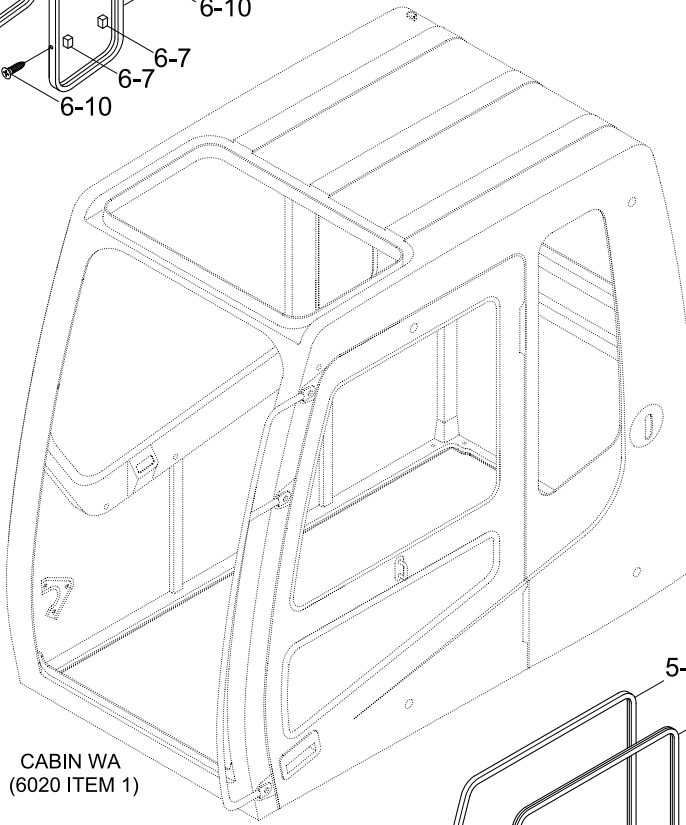


Item	Part_No	IS	Ord	T	Description	Qty	Serial_No	ITC	Remark
1	11N4-09011				ENGINE ASSY	1	#0001 -	-	
2	11N3-00020				BRACKET-FRONT	1			
3	11N3-00051				BRACKET-REAR	2			
4	11N5-03010				BRACKET-ENGINE&COMP	1	- #0439		
	11N5-03030				BRACKET-ENGINE&COMP	1	#0440 -	B	
6	11N4-00060-DA				WASHER-MOUNT	2	#0001 -	-	
7	11N6-08250				RUBBER-MOUNT	4			
8	11N6-10450				RUBBER-MOUNT	4			
9	11N6-00330				FAN-RING	1			STD
10	S017-101206				BOLT-HEX	4			
11	S017-20135D				BOLT-HEX	2			
12	S037-123056				BOLT-W/WASHER	16			
13	S403-10200B				WASHER-PLAIN	4			
14	S441-200006				WASHER-HARDENED	2			
15	11N4-00150				NUT-STOPPER	2			
16	11N4-00160				NUT-STOPPER	2			
17	S441-160006				WASHER-HARDENED	4			
18	S017-16130D				BOLT-HEX	2			
19	11N5-03020				FAN	1			OPT

CAB ASSY(5/6, SASH ASSY)

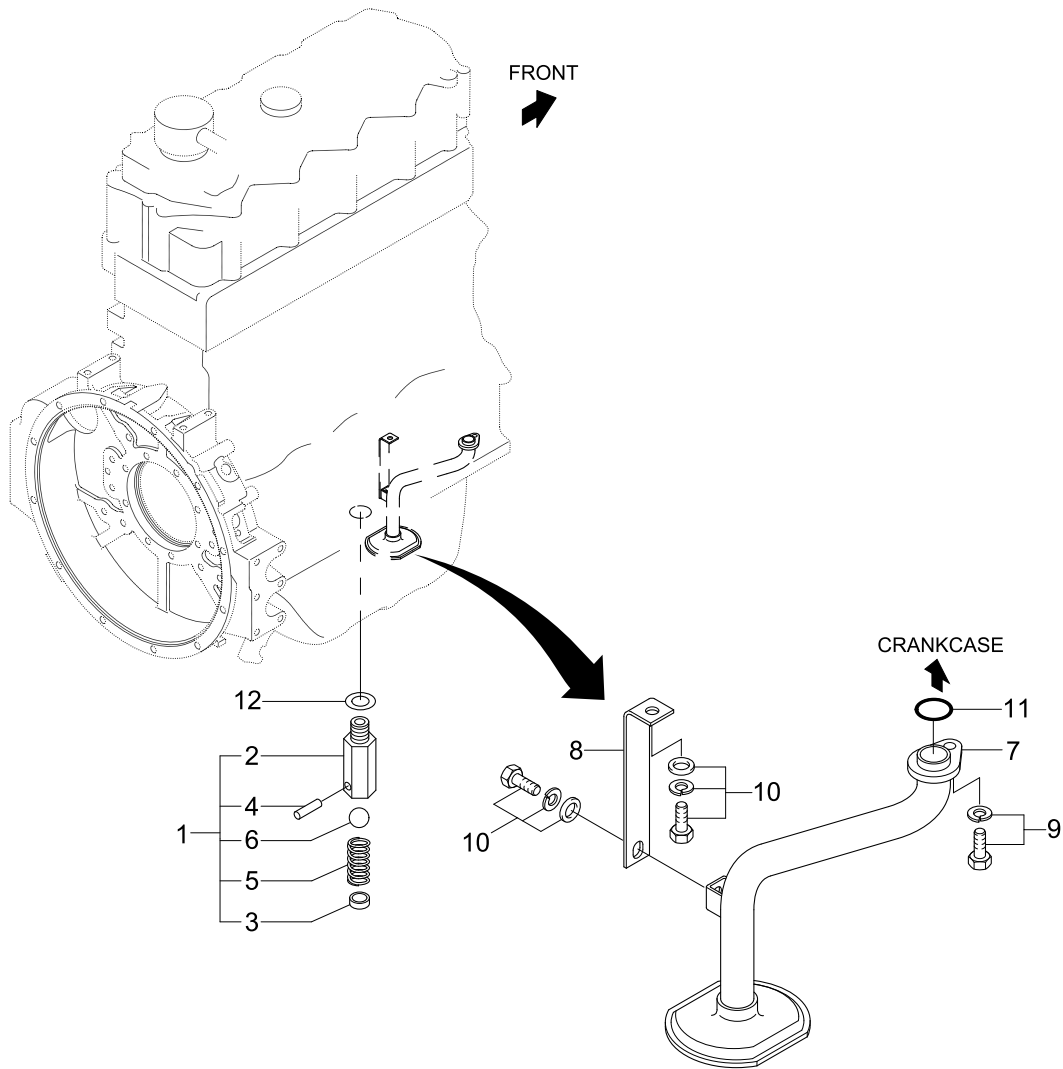


CABIN WA
(6020 ITEM 1)

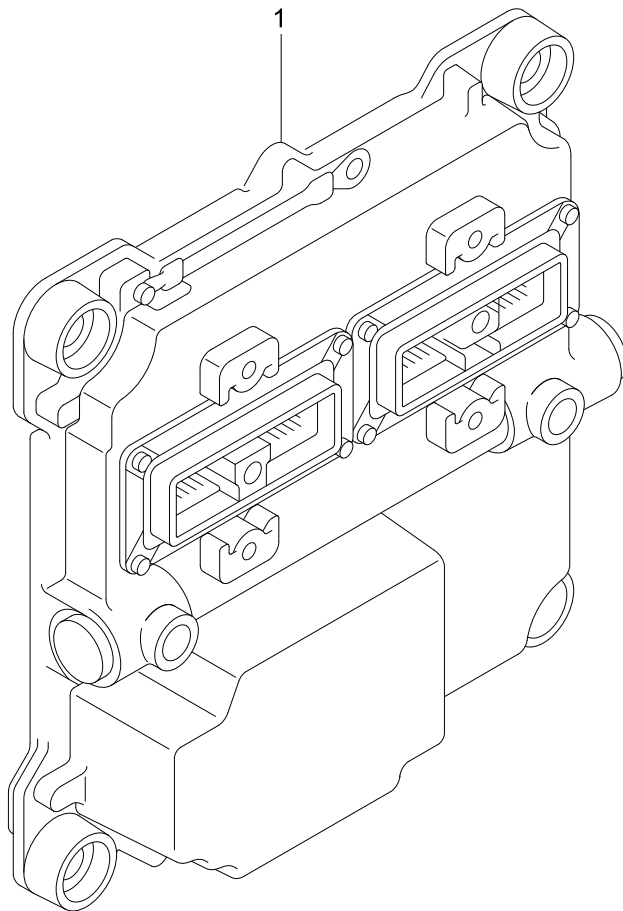


Item	Part_No	IS	Ord	T	Description	Qty	Serial_No	ITC	Remark
*	@				CAB ASSY	1			NOT
5	71N6-02500				..SASH ASSY-DOOR	1			
5-1	71N6-02510				..SASH	1			
5-2	71N6-02520				..SEAL	1			
5-3	71N6-02530				..GLASS	1			
5-4	71N6-02540				..GLASS	1			
5-5	71N6-02550				..LOCK ASSY	2			
5-6	71N6-02560				..HOOK	1			
5-7	71N6-02570				..HOOK	1			
5-8	71N6-02580				..SASH	1			
5-9	D19227C1				..RIVET-BLIND	6			
6	71N6-02600				..SASH ASSY-LH	1			
6-1	71N6-02610				..SASH	1			
6-2	71N6-02620				..SEAL	1			
6-3	71N6-02630				..GLASS(UPPER)	1			
6-4	71N6-02640				..GLASS(LOWER)	1			
6-5	71N6-02550				..LOCK ASSY	1			
6-6	71N6-02570				..HOOK	1			
6-7	71N6-02650				..STOPPER	2			
6-8	71N6-02660				..SASH	1			
6-9	D19227C1				..RIVET-BLIND	3			
6-10	S151-030126				..SCREW-TAPPING	2			

OIL STRAINER



Item	Part_No	IS	Ord	T	Description	Qty	Serial_No	ITC	Remark
1	XJAF-02357				VALVE ASSY-SAFETY	1			
2	@				.CASE-VALVE	1			NOT
3	@				.SEAT-SPRING	1			NOT
4	@				.PIN-SPRING	1			NOT
5	@				.SPRING	1			NOT
6	@				.BALL-STEEL	1			NOT
7	XJAF-00362				STRAINER-OIL	1			
8	XJAF-00363				STAY	1			
9	XJAF-02358				BOLT-W/WASHER	1			
10	XJAF-00365				BOLT-W/WASHER	2			
11	XJAF-00366				O-RING	1			
12	XJAF-00703				GASKET	1			



Item	Part_No	IS	Ord	T	Description	Qty	Serial_No	ITC	Remark
1	XJAF-02560				CONTROLLER ASSY	1	#0001 -	-	

Diesel Engines

ABS	Agco-Sisu
Akasaka	Baudouin
BMW	Bukh
Caterpillar	CHN 25/34
Cummins	Daihatsu
Detroit	Deutz
Doosan-Daewoo	Fiat
Ford	GE
Grenaa	Guascor
Hanshin	Hatz
Hino	Honda
Hyundai	Isotta
Isuzu	Iveco
John-Deere	Kelvin
Kioti	Komatsu
Kubota	Liebherr
Lister	Lombardini
MAK	MAN B&W
Mercedes	Mercruiser
Mirrlees BS	Mitsubishi
MTU	MWM
Niigata	Paxman
Perkins	Pielstick
Rolls / Bergen	Ruggerini
Ruston	Scania
Shibaura	Sisu-Valmet
SKL	Smit-Bolnes
Sole	Stork
VM-Motori	Volvo
Volvo Penta	Westerbeke
Wichmann	Yanmar

Machinery

ABG	Airman
Akerman	Ammann
Astra	Atlas Copco
Atlas Weyha.	Atlet
Bell	Bendi
Bigjoe	Bobcat
Bomag	BT
Carelift	Case
Caterpillar	Cesab
Challenger	Champion
Claas	Clark
Combilift	Crown
Daewoo-Doosan	Demag
Deutz-Fahr	Dressta

Machinery

Drott	Dynapack
Extec	Faun
Fendt	Fiat
Fiatallis	Flexicoil
Furukawa	Gehl
Genie	Grove-gmk
Halla	Hamm
Hangcha	Hanix
Hanomag	Hartl
Haulpack	Hiab
Hidromek	Hino truck
Hitachi	Hyster
Hyundai	IHI
Ingersoll-rand	JCB
JLG	John-Deere
Jungheinrich	Kalmar
Kato	Kioti
Kleeman	Kobelco
Komatsu	Kramer
Kubota	Lamborghini
Landini	Liebherr
Linde	Link-belt
Manitou	Massey-Ferg.
Mccormick	MDI-Yutani
Mitsubishi	Moxy
Mustang	Neusson
New-Holland	Nichiyu
Nissan	OK
OM-Pimespo	others-tech
Pel-Job	PH-mining
Poclain	Powerscreen
Same	Samsung
Sandvik	Scania
Schaefer	Schramm
Sennebogen	Shangli
Shibaura	Steiger
Steinbock	Steyr
Still	Sumitomo
Super-pac	Tadano
Takeuchi	TCM
Terex	Toyota
Valpadana	Venieri
Versatile	Vogele
Volvo	Weidemann
Wirtgen	Yale
YAM	Yanmar