

OPERATION MANUAL

**EXCAVATOR
R140LC-7**

HYUNDAI

[*http://marengine.com/r140lc-7-excavator*](http://marengine.com/r140lc-7-excavator)

CONTENTS

Foreword -----	0-1	7. Efficient working method -----	4-17	
Before servicing this machine -----	0-2	8. Operation in the special work sites -----	4-21	
EC regulation approved -----	0-3	9. Normal operation of excavator -----	4-23	
Table to enter S/No and distribution -----	0-4	10. Attachment lowering -----	4-24	
Safety labels -----	0-5	11. Storage -----	4-25	
Guide(Direction, S/No, Symbol) -----	0-15	12. RCV lever operating pattern -----	4-27	
		13. Switching hydraulic attachment circuit -----	4-28	
SAFETY HINTS				
1. Before operating the machine -----	1-1	TRANSPORTATION		
2. During operating the machine -----	1-6	1. Preparation for transportation -----	5-1	
3. During maintenance -----	1-13	2. Dimension and weight -----	5-2	
4. Parking -----	1-16	3. Loading the machine -----	5-5	
		4. Fixing the machine -----	5-7	
		5. Loading and unloading by crane -----	5-8	
SPECIFICATIONS				
1. Major components -----	2-1	MAINTENANCE		
2. Specifications -----	2-2	1. Instruction -----	6-1	
3. Working range -----	2-6	2. Tightening torque -----	6-6	
4. Weight -----	2-10	3. Fuel, coolant and lubricants -----	6-9	
5. Lifting capacities -----	2-12	4. Maintenance check list -----	6-11	
6. Bucket selection guide -----	2-23	5. Maintenance chart -----	6-16	
7. Undercarriage -----	2-29	6. Service instruction -----	6-18	
8. Specification for major components -----	2-31	7. Electrical system -----	6-39	
9. Recommended oils -----	2-35	8. Air conditioner and heater -----	6-42	
CONTROL DEVICES				
1. Cab devices -----	3-1	TROUBLESHOOTING GUIDE		
2. Cluster -----	3-2	1. Engine -----	7-1	
3. Switches -----	3-9	2. Electrical system -----	7-2	
4. Levers and pedals -----	3-14	3. Others -----	7-3	
5. Air conditioner and heater -----	3-17	HYDRAULIC BREAKER AND QUICK CLAMP		
6. Others -----	3-20	1. Selecting hydraulic breaker -----	8-1	
OPERATION				
1. Suggestion for new machine -----	4-1	2. Circuit configuration -----	8-2	
2. Check before starting the engine -----	4-2	3. Maintenance -----	8-3	
3. Starting and stop the engine -----	4-3	4. Precaution while operating the breaker -----	8-4	
4. Mode selection system -----	4-6	5. Quick clamp -----	8-6	
5. Operation of the working device -----	4-13	INDEX -----		9-1
6. Traveling of the machine -----	4-14			

FOREWORD

This manual contains a number of instructions and safety recommendations regarding driving, handling, lubrication, maintenance, inspection and adjustment of the excavator.

The manual is to promote safety maintenance and enhance machine performance.

Keep this manual handy and have all personnel read it periodically.

If you sell the machine, be sure to give this manual to the new owners.

This machine complies with EC directive "98/37/EEC".

1. **Read** and **understand** this manual before operating the machine.

This operator's manual may contain attachments and optional equipment that are not available in your area. Please consult your local Hyundai distributor for those items you require.

Improper operation and maintenance of this machine can be hazardous and could result in serious injury or death.

Some actions involved in operation and maintenance of the machine can cause a serious accident, if they are not done in a manner described in this manual.

The procedures and precautions given in this manual apply only to intended uses of the machine.

If you use your machine for any unintended uses that are not specifically prohibited, you must be sure that it is safe for you and others. In no event should you or others engage in prohibited uses of actions as described in this manual.

2. **Inspect** the jobsite and **follow** the safety recommendations in the **safety hints** section before operating the machine.

3. Use **genuine Hyundai spare parts** for the replacement of parts.

We expressly point out that Hyundai will not accept any responsibility for defects resulting from non-genuine parts or non workmanlike repair.

In such cases Hyundai cannot assume liability for any damage.

Continuing improvements in the design of this machine can lead to changes in detail which may not be reflected in this manual. Consult Hyundai or your Hyundai distributor for the latest available information for your machine or for questions regarding information in this manual.

BEFORE SERVICING THIS MACHINE

It is the responsibility of the owner and all service and maintenance personnel to avoid accidents and serious injury by keeping this machine properly maintained.

It also is the responsibility of the owner and all service and maintenance personnel to avoid accidents and serious injury while servicing the machine.

No one should service or attempt to repair this machine without proper training and supervision.

All service and maintenance personnel should be thoroughly familiar with the procedures and precautions contained in this manual.

All personnel also must be aware of any federal, state, provincial or local laws or regulations covering the use and service of construction equipment.

The procedures in this manual do not supersede any requirements imposed by federal, state, provincial or local laws.

Hyundai can not anticipate every possible circumstance or environment in which this machine may be used and serviced.

All personnel must remain alert to potential hazards.

Work within your level of training and skill.

Ask your supervisor if you are uncertain about a particular task. Do not try to do too much too fast.

Use your common sense.

EC REGULATION APPROVED

- Noise level (EN474-1 ANNEX4.10 and 2000/14/EC) are as followings.

LWA : 102dB(EU only)

101dB(EU only) : LOW NOISE

LPA : 72dB

- The value of vibrations transmitted by the operator's seat are lower than standard value of (EN474-1 ANNEX 4.3.1.3)



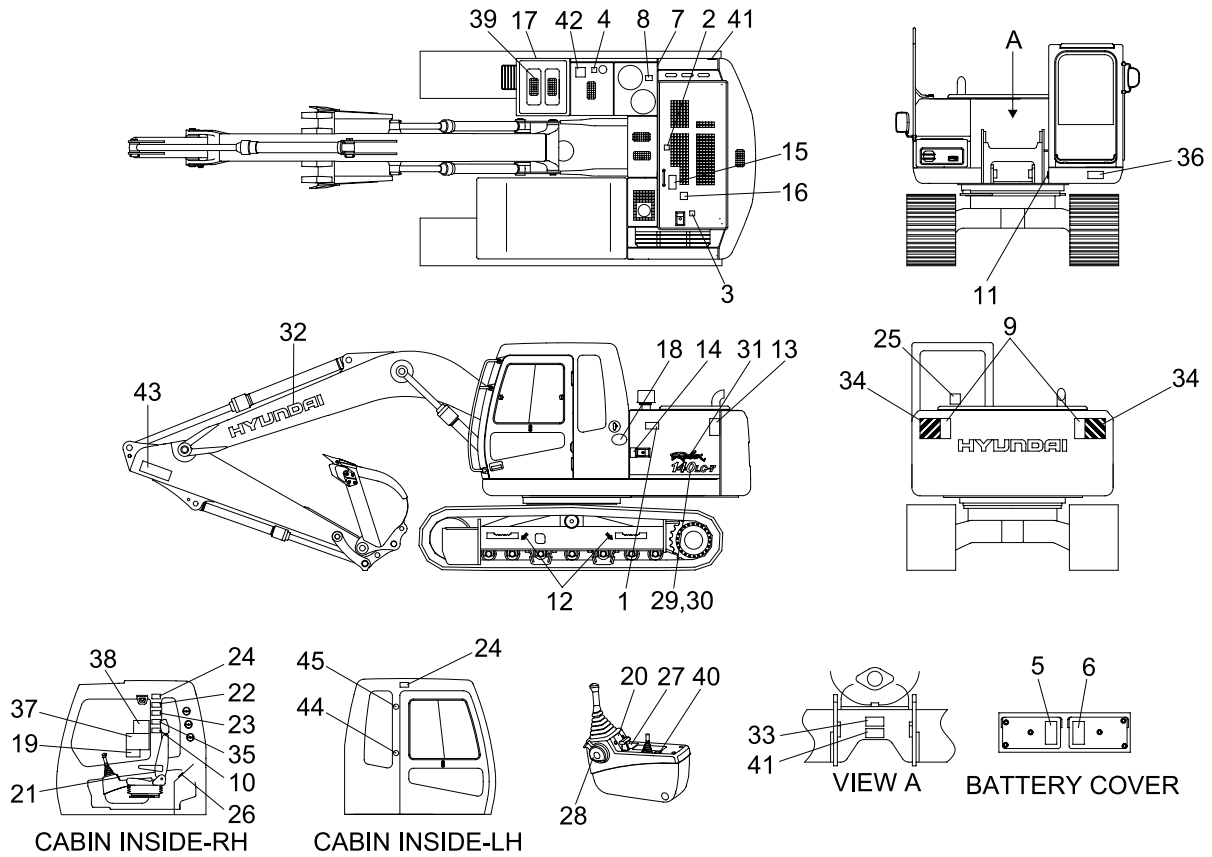
TABLE TO ENTER SERIAL NO. AND DISTRIBUTOR	
--	--

Machine Serial No.	
Engine Serial No.	
Manufacturing year	
Manufacturer Address	Hyundai Heavy Industries co., Ltd. 1 Chonha-Dong, Dong-Ku Ulsan The Republic of Korea.
Distributor for U.S.A Address	Hyundai Heavy Industries U.S.A, Inc 955 Estes Avenue EIK Grove village IL, 60001 U.S.A
Distributor for Europe Address	Hyundai Heavy Industries Europe N. V. Vossendal 11 2240 Geel Belgium
Dealer Address	

SAFETY LABELS

1. LOCATION

Always keep these labels clean. If they are lost or damaged, attach them again or replace them with a new label.



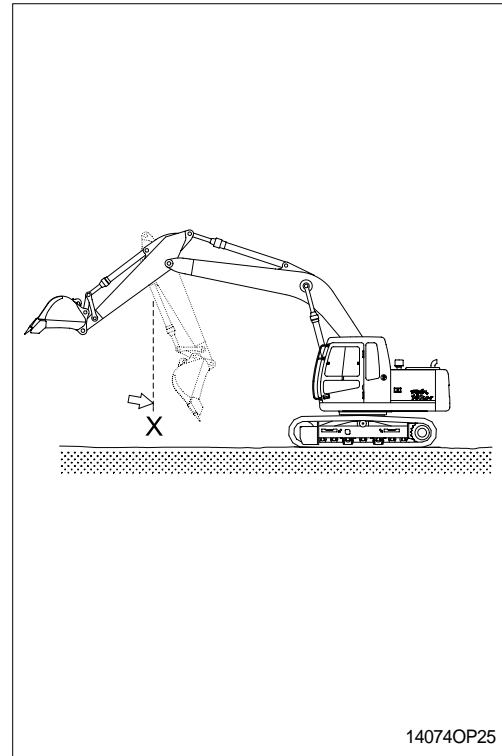
- | | | | | | |
|----|---------------------------|----|------------------------|----|-----------------------------|
| 1 | Air cleaner filter | 16 | No step-engine hood | 31 | Logo(ROBEX) |
| 2 | Turbo charger cover | 17 | Transporting | 32 | Trade mark(Boom) |
| 3 | Radiator cap | 18 | Low emission engine | 33 | Grease-reduction gear |
| 4 | Fueling | 19 | Control ideogram | 34 | Keep clear-work area |
| 5 | Battery corrosive | 20 | Control ideogram(LH) | 35 | Interference |
| 6 | Battery explosion(-#1000) | 21 | Control ideogram(RH) | 36 | Noise level LWA |
| 7 | Hydraulic oil level | 22 | Ref operator manual | 37 | Service instruction |
| 8 | Hydraulic oil lub | 23 | Max height | 38 | Lifting chart |
| 9 | Keep clear | 24 | Safety front window | 39 | Step tread |
| 10 | Clamp-locking | 25 | Alternate exit | 40 | Control ideogram-Dozer |
| 11 | Name plate | 26 | Air conditioner filter | 41 | Hose-pressure(#1001-) |
| 12 | Slinging ideogram | 27 | Console box tilting | 42 | Falling(#1001-) |
| 13 | Side keep clear | 28 | Safety lever | 43 | Keep clear-Boom/Arm(#1001-) |
| 14 | Stay fix | 29 | Model name(LH) | 44 | Hammer(#1001-) |
| 15 | Shearing-engine hood | 30 | Model name(RH) | 45 | Fire extinguisher(#1001-) |

14070SL01A

9. NORMAL OPERATION OF EXCAVATOR

Followings may occur during operation due to the nature of a hydraulic excavator.

- 1) When rolling in the arm, the roll-in movement stop momentary at point **X** in the picture shown, then recovers speed again after passing point **X**.
The reason for this phenomenon is that movement by the arm weight is faster than the speed of oil flow into the cylinder.
- 2) When lowering the boom, one may hear continuous sound.
This is caused by oil flow in the valve.
- 3) Overloaded movement will produce sound caused by the relief valves, which are for the protection of the hydraulic systems.
- 4) When the machine is started swing or stopped, a noise near the swing motor may be heard. The noise is generated when the brake valve relieves.



10. ATTACHMENT LOWERING (When engine is stopped)

1) On machines equipped with an accumulator, for a short time (within 2 minutes) after the engine is stopped, the attachment will lower under its own weight when the attachment control lever is shifted to LOWER. That is happen only starting switch ON position and safety lever UNLOCK position. After the engine is stopped, set the safety lever to the LOCK position.

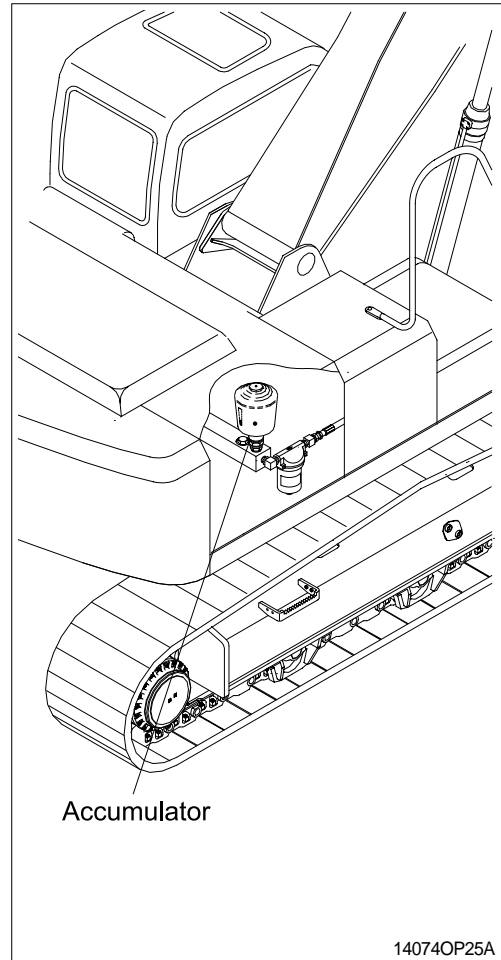
▲ Be sure no one is under or near the attachment before lowering the boom.

2) The accumulator is filled with high-pressure nitrogen gas, and it is extremely dangerous if it is handled in the wrong way. Always observe the following precautions.

▲ Never make any hole in the accumulator expose it to flame or fire.

▲ Do not weld anything to the accumulator.

When carrying out disassembly or maintenance of the accumulator, it is necessary to release the gas from the accumulator. A special air bleed valve is necessary for this operation, so please contact your Hyundai distributor.



A		Fuse box -----	3-25
Accel dial switch -----	3-10	H	
After engine start -----	4-4	Hydraulic breaker -----	8-1
Air breather element -----	6-31	Hydraulic oil changing -----	6-29
Air cleaner filter -----	6-25	Hydraulic oil filling -----	6-29
Air conditioner & heater -----	3-17	Hydraulic oil level -----	6-29
Air conditioner filter -----	6-42	L	
Alternate exit -----	0-12	Levers & pedals -----	3-14
Attachment lowering -----	4-23	Lifting capacities -----	2-12
B		Lubricant specification -----	2-35
Battery -----	6-39	M	
Before starting engine -----	4-2	Maintenance check list -----	6-11
Boom lowering -----	4-23	Major component -----	2-1
Bucket clearance adjustment -----	6-37	Mode selection system -----	4-6
Bucket replacement -----	6-35	Monitor display -----	4-10
Bucket selection guide -----	2-23	Monitor panel -----	3-2
Bucket tooth replacement -----	6-36	Mounting and dismounting -----	1-12
C		N	
Cab air filter -----	6-42	New machine operation -----	4-1
Cab device -----	3-1	O	
Cassette & radio -----	3-20	Oil cooler -----	6-23
Changing machine control pattern -----	4-26	Operating pattern -----	4-26
Cigar lighter -----	3-24	P	
Coolant -----	6-20	Pedals -----	3-14
Cooling fan -----	6-24	Periodical replacement parts -----	3-14
CPU controller -----	3-25	Pilot filter -----	6-31
D		Pin & bushing adjustment -----	6-38
Drain filter -----	6-31	Prolix resistor -----	6-26
E		Q	
Engine oil filter -----	6-18	Quick clamp -----	8-6
Engine oil level -----	6-18	R	
Engine starting & stop -----	4-3	Radiator flushing -----	6-20
Engine starting by booster -----	6-40	Radio -----	3-20
Engine stop -----	4-5	RCV lever lubricate -----	6-34
F		Recommended oils -----	2-35, 6-10
Fan belt -----	6-24	Relieving pressure -----	6-3
Fuel filter -----	6-26	Return filter -----	6-30
Fuel leakage -----	6-28		
Fuel system bleeding -----	6-27		
Fuel tank -----	6-25		

S

Safety hints	1-1
Safety labels	0-5
Safety parts	6-5
Seat	3-24
Seat belt	3-24
Service meter	3-26
Speciation for major component	2-31
Specification	2-2
Start switch	3-9
Storage	4-24
Suction strainer	6-30
Swing bearing grease	6-32
Swing gear & pinion grease	6-33
Swing reduction gear oil	6-32
Switch panel	3-7
Switches	3-9

T

Torques-major component	6-8
Torques-fastener	6-6
Towing machine	4-15
Track adjustment	6-34
Track shoe selection	2-29
Transportation	5-1
Travel reduction gear oil	6-33
Travelling machine	4-13
Troubleshooting guide	7-1

U

Undercarriage	2-29
---------------	------

W

Warming up operation	4-5
Warning lamps	3-3
Water separator	6-26
Weight	2-10
Working device operation	4-12
Working method	4-16
Working range	2-3

Diesel Engines

ABS	Agco-Sisu
Akasaka	Baudouin
BMW	Bukh
Caterpillar	CHN 25/34
Cummins	Daihatsu
Detroit	Deutz
Doosan-Daewoo	Fiat
Ford	GE
Grenaa	Guascor
Hanshin	Hatz
Hino	Honda
Hyundai	Isotta
Isuzu	Iveco
John-Deere	Kelvin
Kioti	Komatsu
Kubota	Liebherr
Lister	Lombardini
MAK	MAN B&W
Mercedes	Mercruiser
Mirrlees BS	Mitsubishi
MTU	MWM
Niigata	Paxman
Perkins	Pielstick
Rolls / Bergen	Ruggerini
Ruston	Scania
Shibaura	Sisu-Valmet
SKL	Smit-Bolnes
Sole	Stork
VM-Motori	Volvo
Volvo Penta	Westerbeke
Wichmann	Yanmar

Machinery

ABG	Airman
Akerman	Ammann
Astra	Atlas Copco
Atlas Weyha.	Atlet
Bell	Bendi
Bigjoe	Bobcat
Bomag	BT
Carelift	Case
Caterpillar	Cesab
Challenger	Champion
Claas	Clark
Combilift	Crown
Daewoo-Doosan	Demag
Deutz-Fahr	Dressta

Machinery

Drott	Dynapack
Extec	Faun
Fendt	Fiat
Fiatallis	Flexicoil
Furukawa	Gehl
Genie	Grove-gmk
Halla	Hamm
Hangcha	Hanix
Hanomag	Hartl
Haulpack	Hiab
Hidromek	Hino truck
Hitachi	Hyster
Hyundai	IHI
Ingersoll-rand	JCB
JLG	John-Deere
Jungheinrich	Kalmar
Kato	Kioti
Kleeman	Kobelco
Komatsu	Kramer
Kubota	Lamborghini
Landini	Liebherr
Linde	Link-belt
Manitou	Massey-Ferg.
Mccormick	MDI-Yutani
Mitsubishi	Moxy
Mustang	Neusson
New-Holland	Nichiyu
Nissan	OK
OM-Pimespo	others-tech
Pel-Job	PH-mining
Poclain	Powerscreen
Same	Samsung
Sandvik	Scania
Schaefer	Schramm
Sennebogen	Shangli
Shibaura	Steiger
Steinbock	Steyr
Still	Sumitomo
Super-pac	Tadano
Takeuchi	TCM
Terex	Toyota
Valpadana	Venieri
Versatile	Vogele
Volvo	Weidemann
Wirtgen	Yale
YAM	Yanmar