

PARTS CATALOG

**EXCAVATOR
R140LC-7**

HYUNDAI

1 ENGINE SYSTEM

- 1010 ENGINE MOUNTING
- 1020 ENGINE CONTROL SYSTEM(-#1000)
- 1025 ENGINE CONTROL SYSTEM(#1001-#1494)
- 1026 ENGINE CONTROL SYSTEM(#1495-, TIER II)
- 1030 AIR INTAKE SYSTEM
- 1040 EXHAUST SYSTEM(-#1494)
- 1045 EXHAUST SYSTEM(#1495-)
- 1050 COOLING SYSTEM(-#1000)
- 1055 COOLING SYSTEM(#1001-#1494, TIER II)
- 1056 COOLING SYSTEM(#1495-, TIER II)
- 1060 RADIATOR ASSY(-#1000)
- 1065 RADIATOR ASSY(#1001-#1494, TIER II)
- 1066 RADIATOR ASSY(#1495-, TIER II)
- 1070 FUEL SYSTEM(-#1494)
- 1075 FUEL SYSTEM(#1495-)
- 1080 FUEL TANK
- 1100 AIRCON & HEATER MOUNTING
- 1110 AIRCON & HEATER UNIT(-#2124)
- 1115 AIRCON & HEATER UNIT(#2125-)
- 1120 AIR CONDITIONER MOUNTING
- 1130 AIR CONDITIONER UNIT(-#1277)
- 1135 AIR CONDITIONER UNIT(#1278-)
- 1140 HEATER MOUNTING
- 1150 HEATER UNIT(-#2124)
- 1155 HEATER UNIT(#2125-)
- 1160 AIRCON & HEATER MOUNTING(AUTO)
- 1170 AIRCON & HEATER UNIT-FATC
- 1200 PRE HEATING GROUP(#2735-)

2 ELECTRIC SYSTEM

- 2010 RH ELECTRIC
- 2020 LH ELECTRIC(-#1000)
- 2025 LH ELECTRIC(#1001-, TIER II)
- 2030 BOOM ELECTRIC
- 2035 BOOM ELECTRIC(#0234-, ADJUST BOOM)
- 2040 ENGINE ELECTRIC(-#1000)
- 2045 ENGINE ELECTRIC(#1001-, TIER II)
- 2050 ELECTRIC BOX
- 2060 CAB ELECTRIC 1
- 2070 CAB ELECTRIC 2
- 2071 CLUSTER
- 2072 CLUSTER(OPT, #2936-)
- 2074 CAB ELECTRIC 2(OPT, #2936-)
- 2080 CAB ELECTRIC 3
- 2085 ELEC CAB LAMP SUB ASSY(OPTION, #2792-)
- 2090 FUSE BOX
- 2100 FUEL FILLER PUMP(-#2998)
- 2101 FUEL FILLER PUMP(#2999-)

3 HYDRAULIC SYSTEM

- 3010 PUMP MOUNTING
- 3020 HYDRAULIC TANK
- 3100 UPPER HYD PIPING(BASE, -#1000)
- 3105 UPPER HYD PIPING(BASE, #1001-)
- 3110 UPPER HYD PIPING(TRAVEL)
- 3120 UPPER HYD PIPING(ATTACH)
- 3130 UPPER HYD PIPING 1(ADJUST BM, #0234-)
- 3140 UPPER HYD PIPING 2(ADJUST BM, #0234-)
- 3160 UPPER HYD PIPING(BASE, STD, #1602-)
- 3170 UPPER HYD PIPING(TRAVEL, STD, #1602-)
- 3180 UPPER HYD PIPING(ATTACH, STD, #1602-)
- 3190 UPPER HYD PIPING(BASE, 2-BLOCK, #2680-)

3191 UPPER HYD PIPING(TRAVEL,2-BLOCK, #2680-)
3192 UPPER HYD PIPING(TRAVEL,2-BLOCK, #2680-)
3200 PILOT HYD PIPING(CNTL 1, OPT)
3210 PILOT HYD PIPING(CNTL 2, OPT)
3220 PILOT HYD PIPING(CNTL 3, OPT)
3230 PILOT HYD PIPING(BASE 1, OPT)
3240 PILOT HYD PIPING(BASE 2, OPT)
3250 PILOT HYD PIPING(BASE 3, OPT)
3260 PILOT HYD PIPING(BASE 4, OPT)
3270 PILOT HYD PIPING(ADJUST BOOM, #0234-)
3280 PILOT HYD PIPING(CNTL 1, STD, #1602-)
3281 PILOT HYD PIPING(CNTL 2, STD, #1602-)
3282 PILOT HYD PIPING(CNTL 3, STD, #1602-)
3283 PILOT HYD PIPING(BASE 1, STD, #1602-)
3284 PILOT HYD PIPING(BASE 2, STD, #1602-)
3285 PILOT HYD PIPING(BASE 3, STD, #1602-)
3290 PILOT HYD PIPING(BASE 1,2-BLOCK, #2680-)
3291 PILOT HYD PIPING(BASE 2,2-BLOCK,#2680-)
3292 PILOT HYD PIPING(BASE 3,2-BLOCK, #2680-)
3293 PILOT HYD PIPING(BASE 4,2-BLOCK,#2680-)
3294 PILOT HYD PIPING(BASE 5,2-BLOCK, #2680-)
3295 PILOT HYD PIPING(BASE 6,2-BLOCK, #2680-)
3300 TRAVEL HYDRAULIC PIPING
3310 TRAVEL HYD PIPING(# 0239-#1082,LCM-7)
3311 TRAVEL HYD PIPING(#1083-, LCM-7)
3400 BOOM HYD PIPING(4.6M, STD, -#1000)
3405 BOOM HYD PIPING(4.6M, STD, #1001-)
3410 BOOM GREASE LUB SYSTEM(4.6M)
3420 BOOM SAFETY LOCK SYSTEM
3430 QUICK CLAMP HYD PIPING(-#1370)
3431 QUICK CLAMP HYD PIPING(#1371-)
3440 BOOM HYD PIPING(4.1M, -#1000)
3445 BOOM HYD PIPING(4.1M, #1001-)
3450 BOOM GREASE LUB SYSTEM(4.1M)
3460 BOOM HYD PIPING(ADJUST BOOM, #0234-)
3470 BOOM GREASE LUB SYS(ADJ/BOOM, #0234-)
3480 BOOM HYD PIPING(4.6M, STD, #1602-)
3485 BOOM GREASE LUB SYSTEM(4.6M,STD, #1602-)
3490 BOOM HYD PIPING(4.1M, #1602-)
3495 BOOM GREASE LUB SYSTEM(4.1M, #1602-)
3500 ARM HYD PIPING(2.5M, STD)
3510 ARM HYD PIPING(3.0M, LONG)
3520 ARM SAFETY LOCK SYSTEM
3600 DOZER HYD PIPING(UPPER)
3610 DOZER HYD PIPING(LOWER)
3700 SINGLE ACTING HYD PIPING KIT 1
3710 SINGLE ACTING HYD PIPING KIT 2
3711 SINGLE ACTING HYD PIPING KIT 3(#1016-)
3712 SINGLE ACTING HYD PIPING KIT 4(#1016-)
3713 SINGLE ACTING HYD PIPING KIT 5
3714 SINGLE ACTING HYD PIPING KIT 6
3720 D/ACTING HYD PIPING KIT 1(-#1601)
3721 D/ACTING HYD PIPING KIT 1(#1602-)
3730 D/ACTING HYD PIPING KIT 2(-#1601)
3731 D/ACTING HYD PIPING KIT 2(#1602-)
3740 DOUBLE ACTING HYD PIPING KIT 3
3750 DOUBLE ACTING HYD PIPING KIT 4
3751 DOUBLE ACTING HYD PIPING KIT 5(#1016-)
3752 DOUBLE ACTING HYD PIPING KIT 6(#1016-)
3760 DOUBLE ACTING ATTACH PIPING KIT(-#1370)
3761 DOUBLE ACTING ATTACH PIPING KIT(#1371-)
3762 DOUBLE ACTING ATTACH PIPING KIT(#1371-)

3765 DOUBLE ACTING MAIN PIPING KIT(-#1370)
3766 DOUBLE ACTING MAIN PIPING KIT(#1371-)
3770 DOUBLE ACTING MAIN PIPING KIT(-#1370)
3771 DOUBLE ACTING MAIN PIPING KIT(#1371-)
3775 DOUBLE ACTING MAIN PIPING KIT(#1602-)
3780 SINGLE ACTING MAIN PIPING KIT(-#1370)
3781 SINGLE ACTING MAIN PIPING KIT(#1371-)
3782 SINGLE ACTING MAIN PIPING KIT(#1602-)
3790 ADJUST BOOM ATTACH PIPING KIT(#1016-)
3800 S/ACT MAIN PIPING KIT(ADJUST BM,#1371-)
3810 D/ACT MAIN PIPING KIT(ADJUST BM,#1371-)

4 HYDRAULIC COMPONENT

4010 MAIN PUMP
4020 REGULATOR
4030 GEAR PUMP(-#1682)
4031 GEAR PUMP(#1683-)
4040 MAIN CONTROL VALVE(ALP165,1/4)
4050 MAIN CONTROL VALVE(ALP165,2/4)
4060 MAIN CONTROL VALVE(ALP165,3/4)
4070 MAIN CONTROL VALVE(ALP165,4/4)
4080 MAIN CONTROL VALVE(UHX22-26,1/2)
4090 MAIN CONTROL VALVE(UHX22-26,2/2)
4095 MAIN CONTROL VALVE(1/4, 2-BLOCK,#2680-)
4096 MAIN CONTROL VALVE(2/4, 2-BLOCK, #2680-)
4097 MAIN CONTROL VALVE(3/4, 2-BLOCK,#2680-)
4098 MAIN CONTROL VALVE(4/4, 2-BLOCK, #2680-)
4100 SWING MOTOR(-#1440)
4101 SWING MOTOR(#1441-)
4110 SWING REDUCTION GEAR(-#1440)
4111 SWING REDUCTION GEAR(#1441-)
4120 REMOTE CONTROL LEVER(LH/RH)
4125 REMOTE CONTROL VALVE(OPT,#2709-)
4130 REMOTE CONTROL PEDAL
4140 TRAVEL MOTOR(1/3)
4150 TRAVEL MOTOR(2/3)
4160 TRAVEL MOTOR(3/3)
4170 TRAVEL REDUCTION GEAR
4171 TRAVEL MOTOR(1/3, #0239-#2712, LCM-7)
4172 TRAVEL MOTOR(2/3, #0239-#2712, LCM-7)
4173 TRAVEL MOTOR(3/3, #0239-#2712, LCM-7)
4174 TRAVEL REDUCTION GEAR(#0239-#2712,LCM-7)
4175 TRAVEL MOTOR(#2713-, 1/2, TYPE 1, LCM-7)
4176 TRAVEL MOTOR(#3713-, 2/2, TYPE 1, LCM-7)
4177 TRAVEL REDUCTION GEAR(TYPE 1, LCM-7)
4178 TRAVEL MOTOR(#3330-, 1/2, TYPE 2, LCM-7)
4179 TRAVEL MOTOR(#3330-, 2/2, TYPE 2, LCM-7)
4180 TRAVEL REDUCTION GEAR(TYPE 2, LCM-7)
4190 TURNING JOINT
4195 TURNING JOINT(R140LCD-7)
4200 BOOM CYLINDER
4210 ARM CYLINDER
4220 BUCKET CYLINDER
4230 DOZER BLADE CYLINDER
4240 SOLENOID VALVE
4250 ADJUST CYLINDER(#0234-, ADJUST BOOM)
4260 BOOM CYLINDER(#0234-, ADJUST BOOM)
4300 SINGLE PEDAL(DOUBLE ACTING)
4310 QUICK CLAMP ASSY
4320 QUICK CLAMP ASSY(#2295-)
4330 QUICK CLAMP ASSY 3(#2515-)
4340 QUICK CLAMP ASSY 4(#2515-)
4400 QUICK CLAMP CYLINDER(#2515-)

5 UNDERCARRIAGE

5010 UNDERCARRIAGE MOUNTING
5020 LOWER ROLLER
5030 UPPER ROLLER
5040 IDLER
5050 ADJUST COMPONENT
5060 TRACK CHAIN
5110 UNDERCARRIAGE(#0239-, R140LCM-7)
5120 ROLLER(#0239-, R140LCM-7)
5130 IDLER(#0239-, R140LCM-7)
5140 ADJUST COMPONENT(#0239-, R140LCM-7)

6 STRUCTURE

6010 CAB MOUNTING
6020 CAB ASSY(1/6, STD & FOG TYPE)
6022 CAB ASSY(1/6, STD & FOG TYPE, #2936-)
6025 CAB ASSY(1/6, ROOF TYPE, #1347-)
6027 CAB ASSY(1/6, ROOF TYPE, OPT, #2936-)
6030 CAB ASSY(2/6)
6035 CAB ASSY(2/6, OPT, #2936-)
6040 CAB ASSY(3/6)
6045 CAB ASSY(3/6, OPT, #2936-)
6050 CAB ASSY(4/6, DOOR)
6060 CAB ASSY(5/6, SASH ASSY)
6070 CAB ASSY(6/6, DOOR LATCH ASSY)
6080 CAB INTERIOR 1
6085 CAB INTERIOR 2
6090 CAB INTERIOR 1(OPT, #2936-)
6095 CAB INTERIOR 2(OPT, #2936-)
6100 CONSOLE BOX 1(LH)
6102 CONSOLE BOX 1(LH, OPT, #2936-)
6105 CONSOLE BOX 1(LH, R140LCD-7)
6110 CONSOLE BOX 2(LH)
6115 CONSOLE BOX 2(LH, OPT, #2936-)
6120 CONSOLE BOX(RH)
6125 CONSOLE BOX(RH, OPT, #2936-)
6130 SEAT BASE ASSY
6140 SEAT(-#1119)
6141 SEAT(#1120-#1779)
6142 SEAT(#1780-)
6144 SEAT 2(#1709-)
6145 SEAT(#1120-#1779)
6146 SEAT 3(#2551-)
6148 SEAT 4(#2844-)
6149 SEAT 3(#2551-)
6150 STORAGE BOX COVER ASSY
6160 BOTTOM PLATE MOUNTING
6165 BOTTOM PLATE MOUNTING(OPT, #2936-)
6170 PROTECTOR(R140LCM-7)
6200 COWLING(-#1000)
6205 COWLING(#1001-, TIER-II)
6210 SIDE COWL ASSY(LH, -#1000)
6215 SIDE COWL ASSY-LH(#1001-, TIER II)
6220 AIR CLEANER ASSY
6230 SIDE COVER ASSY(LH)
6240 SIDE COWL ASSY(RH)
6250 ENGINE HOOD(-#1000)
6255 ENGINE HOOD(#1001-, TIER II)
6260 UNDER COVER
6270 TOOL BOX MOUNTING(-#1000)
6275 TOOL BOX MOUNTING(#1001-, TIER II)
6280 TOOL BOX
6290 GROMMET GROUP

6400 UPPER FRAME & COUNTERWEIGHT
6410 LOWER FRAME & COVER
6420 SWING RING GREASE LUB SYSTEM
6430 DOZER BLADE(R140LCD-7)
6500 CAB PROTECTOR ASSY(OPTION, #2792-)

7 ATTACHMENT

7010 BOOM MOUNTING
7020 BOOM MOUNTING(ADJUST BOOM, #0234-)
7100 BOOM(4.6M, STD)
7110 BOOM(4.1M)
7120 BOOM(ADJUST BOOM, #0234-)
7200 ARM(2.5M, STD)
7210 ARM(3.0M)
7220 ARM(2.1M)
7230 ARM(1.9M)
7300 BUCKET CONTROL GROUP
7310 BUCKET(0.58M3 SAE HEAPED, STD)
7320 BUCKET(0.23M3 SAE HEAPED)
7330 BUCKET(0.40M3 SAE HEAPED)
7340 BUCKET(0.46M3 SAE HEAPED)
7350 BUCKET(0.52M3 SAE HEAPED)
7360 BUCKET(0.65M3 SAE HEAPED)
7370 BUCKET(0.71M3 SAE HEAPED)
7380 BUCKET(0.45M3 SAE HEAPED, D/CLEANING)
7390 BUCKET(0.55M3 SAE HEAPED, S/FINISHING)

8 OTHERS

8010 TOOLS(-#1161)
8011 TOOLS(#1162-)
8050 HRDT 2.0 TOOL KIT
8100 DECALS
8200 MANUALS

9 ENGINE BASE(TIER I)

9010 FRONT DRIVE ADAPTER(-#1000)
9020 AIR INTAKE HEATER(-#1000)
9030 DATAPLATE(-#1000)
9040 ROCKER LEVERS(-#1000)
9050 VALVE TAPPET(-#1000)
9060 FRONT GEAR COVER(-#1000)
9070 CYLINDER BLOCK(-#1000)
9080 CRANKSHAFT & MAIN BEARINGS(-#1000)
9090 CAM FOLLOWER COVER(-#1000)
9100 FRONT GEAR TRAIN ACCESSORY(-#1000)
9110 FUEL DRAIN LOCATION(-#1000)
9120 THERMOSTAT & HOUSING(-#1000)
9130 ALTERNATOR LOCATION(-#1000)
9140 ALTERNATOR DRIVE(-#1000)
9150 MECHANICAL TACHOMETER DRIVE(-#1000)
9160 FAN DRIVE(-#1000)
9170 AIR FUEL CONTROL PLUMBING(-#1000)
9180 FUEL FILTER(-#1000)
9190 FUEL FILTER PLUMBING(-#1000)
9200 FLYWHEEL HOUSING(-#1000)
9210 INJECTION PUMP & ACCESSORIES(-#1000)
9220 FUEL PUMP COUPLING(-#1000)
9230 FUEL SYSTEM ACCESSORIES(-#1000)
9240 FUEL PLUMBING(-#1000)
9250 FUEL SHUTOFF VALVE(-#1000)
9260 FLYWHEEL(-#1000)
9270 LIFTING BRACKET(-#1000)
9280 LUBRICATING OIL COOLER(-#1000)
9290 OIL LEVEL GAUGE(-#1000)
9300 LUBRICATING OIL PUMP(-#1000)

9310 CYLINDER BLOCK COVER(-#1000)
9320 OIL PAN(-#1000)
9330 CONNECTING ROD & PISTON(-#1000)
9340 CAMSHAFT(-#1000)
9350 FUEL INJECTOR(-#1000)
9360 CYLINDER HEAD(-#1000)
9370 TURBOCHARGER 1(-#1000)
9380 TURBOCHARGER 2(-#1000)
9390 CYLINDER HEAD GASKET(-#1000)
9400 STARTING MOTOR & MOUNTING(-#1000)
9410 FAN PILOT SPACER(-#1000)
9420 TURBOCHARGER LOCATION(-#1000)
9430 TURBOCHARGER PLUMBING(-#1000)
9440 VALVE COVER(-#1000)
9450 AFTERCOOLER PLUMBING(-#1000)
9460 ENGINE VENT PLUMBING(-#1000)
9470 WATER INLET CONNECTION(-#1000)
9480 WATER PUMP(-#1000)
9490 EXHAUST PLUMBING(-#1000)

A ENGINE BASE(TIER II)

A010 FRONT DRIVE ADAPTER(#1001-#1494)
A020 AIR INTAKE HEATER(#1001-#1494)
A030 DATAPLATE(#1001-#1494)
A040 ROCKER LEVERS(#1001-#1494)
A050 VALVE TAPPET(#1001-#1494)
A060 FRONT GEAR COVER(#1001-#1494)
A070 CYLINDER BLOCK(#1001-#1494)
A080 CRANKSHAFT & M/BEARINGS(#1001-#1494)
A090 CAM FOLLOWER COVER(#1001-#1494)
A100 FRONT GEAR TRAIN ACCESSORY(#1001-#1494)
A110 FAN PILOT SPACER(#1001-#1494)
A120 THERMOSTAT & HOUSING(#1001-#1494)
A130 ALTERNATOR LOCATION(#1001-#1494)
A140 ALTERNATOR DRIVE(#1001-#1494)
A150 CABIN HEATER PLUMBING(#1001-#1494)
A160 FAN DRIVE(#1001-#1494)
A170 INJECTION PUMP 1(#1001-#1494)
A180 INJECTION PUMP 2(#1001-#1494)
A190 FUEL CLEANER(#1001-#1494)
A200 FLYWHEEL HOUSING(#1001-#1494)
A210 AIR INTAKE MANIFOLD(#1001-#1494)
A220 INJECTOR PLUMBLING(#1001-#1494)
A230 AIR INTAKE CONNECTION 1(#1001-#1494)
A240 AIR INTAKE CONNECTION 2(#1001-#1494)
A250 AIR INTAKE CONNECTION 3(#1001-#1494)
A260 FLYWHEEL(#1001-#1494)
A270 LIFTING BRACKET(#1001-#1494)
A280 LUBRICATING OIL COOLER(#1001-#1494)
A290 OIL LEVEL GAUGE(#1001-#1494)
A300 LUBRICATING OIL PUMP(#1001-#1494)
A310 FUEL CONTROL PLUMBING(#1001-#1494)
A320 OIL PAN(#1001-#1494)
A330 CONNECTING ROD & PISTON(#1001-#1494)
A340 CAMSHAFT(#1001-#1494)
A350 FUEL INJECTOR(#1001-#1494)
A360 CYLINDER HEAD(#1001-#1494)
A370 STARTING MOTOR & MOUNTING(#1001-#1494)
A380 VALVE COVER(#1001-#1494)
A390 EXHAUST PLUMBING(#1001-#1494)
A400 TURBOCHARGER(#1001-#1494)
A410 TURBOCHARGER LOCATION 1(#1001-#1494)
A420 TURBOCHARGER LOCATION 2(#1001-#1494)

A430 TURBOCHARGER PLUMBING(#1001-#1494)
A440 WATER PUMP(#1001-#1494)
A450 WATER INLET CONNECTION(#1001-#1494)
A460 OIL LEVEL GAUGE(#1001-#1494)
A470 FUEL SHUTOFF VALVE(#1001-#1494)
A480 FUEL TRANSFER PUMP(#1001-#1494)
A490 FUEL PLUMBING(#1001-#1494)
A500 FUEL FILTER PLUMBING(#1001-#1494)
B010 FRONT DRIVE ADAPTER(#1495-)
B020 AIR INTAKE HEATER(#1495-)
B030 DATAPLATE(#1495-)
B040 ROCKER LEVERS(#1495-)
B050 VALVE TAPPET(#1495-)
B060 FRONT GEAR COVER(#1495-)
B070 CYLINDER BLOCK(#1495-)
B080 CRANKSHAFT & M/BEARINGS(#1495-)
B090 CAM FOLLOWER COVER(#1495-)
B100 FRONT GEAR TRAIN ACCESSORY(#1495-)
B110 FAN PILOT SPACER(#1495-)
B120 THERMOSTAT & HOUSING(#1495-)
B130 ALTERNATOR LOCATION(#1495-)
B140 ALTERNATOR DRIVE(#1495-)
B150 MECHANICAL TACHOMETER DRIVE(#1495-)
B160 FAN DRIVE(#1495-)
B170 INJECTION PUMP 1(#1495-)
B180 INJECTION PUMP 2(#1495-)
B190 FUEL CLEANER(#1495-)
B200 FLYWHEEL HOUSING(#1495-)
B210 AIR INTAKE MANIFOLD(#1495-)
B220 INJECTOR PLUMBLING(#1495-)
B230 AIR INTAKE CONNECTION (#1495-)
B240 EXHAUST CONNECTION(#1495-)
B250 OIL PAN MOUNT(#1495-)
B260 FLYWHEEL(#1495-)
B270 LIFTING BRACKET(#1495-)
B280 LUBRICATING OIL COOLER(#1495-)
B290 OIL LEVEL GAUGE(#1495-)
B300 LUBRICATING OIL PUMP(#1495-)
B310 OIL FUEL CONTROL(#1495-)
B320 OIL PAN(#1495-)
B330 CONNECTING ROD & PISTON(#1495-)
B340 CAMSHAFT(#1495-)
B350 FUEL INJECTOR(#1495-)
B360 CYLINDER HEAD(#1495-)
B370 STARTING MOTOR(#1495-)
B380 VALVE COVER(#1495-)
B390 LIFT PUMP(#1495-)
B400 TURBOCHARGER(#1495-)
B410 FLUID LEVEL SENSOR(#1495-)
B420 ENGINE OIL DRAIN VALVE(#1495-)
B430 TURBOCHARGER PLUMBING(#1495-)
B440 WATER PUMP(#1495-)
B450 WATER INLET CONNECTION(#1495-)
B460 FUEL DRAIN LOCATION(#1495-)
B470 FUEL SHUTOFF VALVE(#1495-)
B480 STARTER MOUNTING(#1495-)
B490 NOISE PANEL(#1495-)
B500 FUEL FILTER PLUMBING(#1495-)
B510 EXHAUST MANIFOLD(#1495-)
B520 CAM FOLLOWER COVER MOUNTING(#1495-)

Serial_No	Revision_No
	2010. 6.30 REV.10F
- #1000	2003. 2.28 REV.3
#1001 - #1494	2004.10.10 REV.5
#1495 -	2009. 4.22 REV.9D
	2006.12.31 REV.6M
- #1494	2004.10.10 REV.5
#1495 -	2006. 2.28 REV.6B
- #1000	2003. 2.28 REV.3
#1001 - #1494	2004.10.10 REV.5
#1495 -	2008. 8.31 REV.8H
- #1000	2003. 2.28 REV.3
#1001 - #1494	2004.10.10 REV.5
#1495 -	2005.11.30 REV.5L
- #1494	2006.12.31 REV.6M
#1495 -	2009. 9. 1 REV.9J
	2009. 10.30 REV.9K
	2010. 6.30 REV.10F
- #2124	2006. 4.30 REV.6D
#2125 -	2010. 6.30 REV.10E
	2010. 6.30 REV.10F
- #1277	2004. 2.28 REV.4
#1278 -	2010. 6.30 REV.10F
	2008. 4.30 REV.8D
- #2124	2006. 4.30 REV.6D
#2125 -	2006. 4.30 REV.6D
	2010. 6.30 REV.10F
	2010. 6.30 REV.10F
#2735 -	2007. 5.31 REV.7E
	2008. 11.30 REV.8L
- #1000	2003. 2.28 REV.3
#1001 -	2008. 11.30 REV.8L
	2008. 11.30 REV.8L
#0234 -	2008. 11.30 REV.8L
- #1000	2004. 2.28 REV.4
#1001 -	2006. 3.31 REV.6C
	2009. 8.17 REV.9H
	2010. 2.28 REV.10B
	2010. 2.28 REV.10B
	2008. 4.30 REV.8D
#2936 -	2008. 4.30 REV.8D
#2936 -	2010. 2.28 REV.10B
	2009. 4.24 REV.9D
#2792 -	2008. 10.31 REV.8K
	2004.10.10 REV.5
- #2998	2008. 11.30 REV.8L
#2999 -	2008. 11.30 REV.8L
	2006. 1.31 REV.6A
	2006. 6.30 REV.6F
- #1000	2004. 2.28 REV.4
#1001 -	2006. 5.31 REV.6E
	2005. 8.31 REV.5H
	2004.11.10 REV.6
#0234 -	2005. 8.31 REV.5H
#0234 -	2007.10.31 REV.7K
#1602 -	2008. 6.30 REV.8F
#1602 -	2004.11.10 REV.6
#1602 -	2005. 8.31 REV.5H
#2680 -	2008. 6.30 REV.8F

#2680 -	2007. 4.30 REV.7D
#2680 -	2007. 4.30 REV.7D
	2004.11.10 REV.6
	2004.11.10 REV.6
	2004.11.10 REV.6
	2004.11.10 REV.6
	2004.11.10 REV.6
	2004.11.10 REV.6
	2004.11.10 REV.6
#0234 -	2004.10.10 REV.5
#1602 -	2007. 2.28 REV.7B
#1602 -	2007. 2.28 REV.7B
#1602 -	2004.11.10 REV.6
#1602 -	2004.11.10 REV.6
#1602 -	2006. 7.31 REV.6G
#1602 -	2004.11.10 REV.6
#2680 -	2007. 4.30 REV.7D
#2680 -	2008. 6.30 REV.8F
#2680 -	2007. 4.30 REV.7D
#2680 -	2008. 6.30 REV.8F
#2680 -	2007. 4.30 REV.7D
#2680 -	2007. 4.30 REV.7D
	2004.10.10 REV.5
#0239 - #1082	2004.10.10 REV.5
#1083 -	2009. 3.30 REV.9C
- #1000	2004. 2.28 REV.4
#1001 -	2004.11.10 REV.6
	2004.11.10 REV.6
	2008. 6.30 REV.8F
- #1370	2006. 2.28 REV.6B
#1371 -	2008. 8.31 REV.8H
- #1000	2004. 2.28 REV.4
#1001 -	2004.11.10 REV.6
	2004.11.10 REV.6
#0234 -	2008. 6.30 REV.8F
#0234 -	2008. 6.30 REV.8F
#1602 -	2008. 6.30 REV.8F
#1602 -	2008. 6.30 REV.8F
#1602 -	2008. 6.30 REV.8F
#1602 -	2008. 6.30 REV.8F
	2005. 8.31 REV.5H
	2005. 8.31 REV.5H
	2008. 8.31 REV.8H
	2005. 1.31 REV.5A
	2008. 6.30 REV.8F
	2004.12.31 REV.7
	2004.12.31 REV.7
#1016 -	2004.10.10 REV.5
#1016 -	2004.10.10 REV.5
#1602 -	2004.12.31 REV.7
#1602 -	2004.12.31 REV.7
- #1601	2004.12.31 REV.7
#1602 -	2004.12.31 REV.7
- #1601	2004.12.31 REV.7
#1602 -	2004.12.31 REV.7
	2004.12.31 REV.7
	2004.12.31 REV.7
#1016 -	2004.10.10 REV.5
#1016 -	2004.10.10 REV.5
- #1370	2005. 6.30 REV.5F
#1371 -	2005. 6.30 REV.5F
#1371 -	2005. 6.30 REV.5F

- #1370 2004.10.10 REV.5
#1371 - 2006.10.31 REV.6K
- #1370 2004.10.10 REV.5
#1371 - 2006.10.31 REV.6K
#1602 - 2006.10.31 REV.6K
- #1370 2006.10.31 REV.6K
#1371 - 2006.10.31 REV.6K
#1602 - 2006.10.31 REV.6K
#1016 - 2005. 6.30 REV.5F
#1371 - 2006.10.31 REV.6K
#1371 - 2006.10.31 REV.6K

2004.12.31 REV.7
2006.11.30 REV.6L
- #1682 2004.12.31 REV.7
#1683 - 2004.12.31 REV.7
2006.12.31 REV.6M
2005.10.31 REV.5K
2004.11.10 REV.6
2004.11.10 REV.6
2005.11.30 REV.5L
2005. 6.30 REV.5F
#2680 - 2007. 4.30 REV.7D
#2680 - 2007. 4.30 REV.7D
#2680 - 2007. 4.30 REV.7D
#2680 - 2007. 4.30 REV.7D
- #1440 2006. 5.31 REV.6E
#1441 - 2006. 8.31 REV.6H
- #1440 2004.10.10 REV.5
#1441 - 2007. 4.30 REV.7D
2005. 3.31 REV.5C
#2709 - 2007. 4.30 REV.7D

2007.12.31 REV.7M
2004. 2.28 REV.4

2004.12.31 REV.7
#0239 - #2712 2007. 4.30 REV.7D
#0239 - #2712 2007. 4.30 REV.7D
#0239 - #2712 2007. 4.30 REV.7D
#0239 - #2712 2007. 4.30 REV.7D
#2713 - 2007.12.31 REV.7M
#2713 - 2007. 4.30 REV.7D
#2713 - 2007. 4.30 REV.7D
#3330 - 2009. 1.31 REV.9A
#3330 - 2009. 1.31 REV.9A
#3330 - 2009. 1.31 REV.9A
2003. 2.28 REV.3
2003. 2.28 REV.3

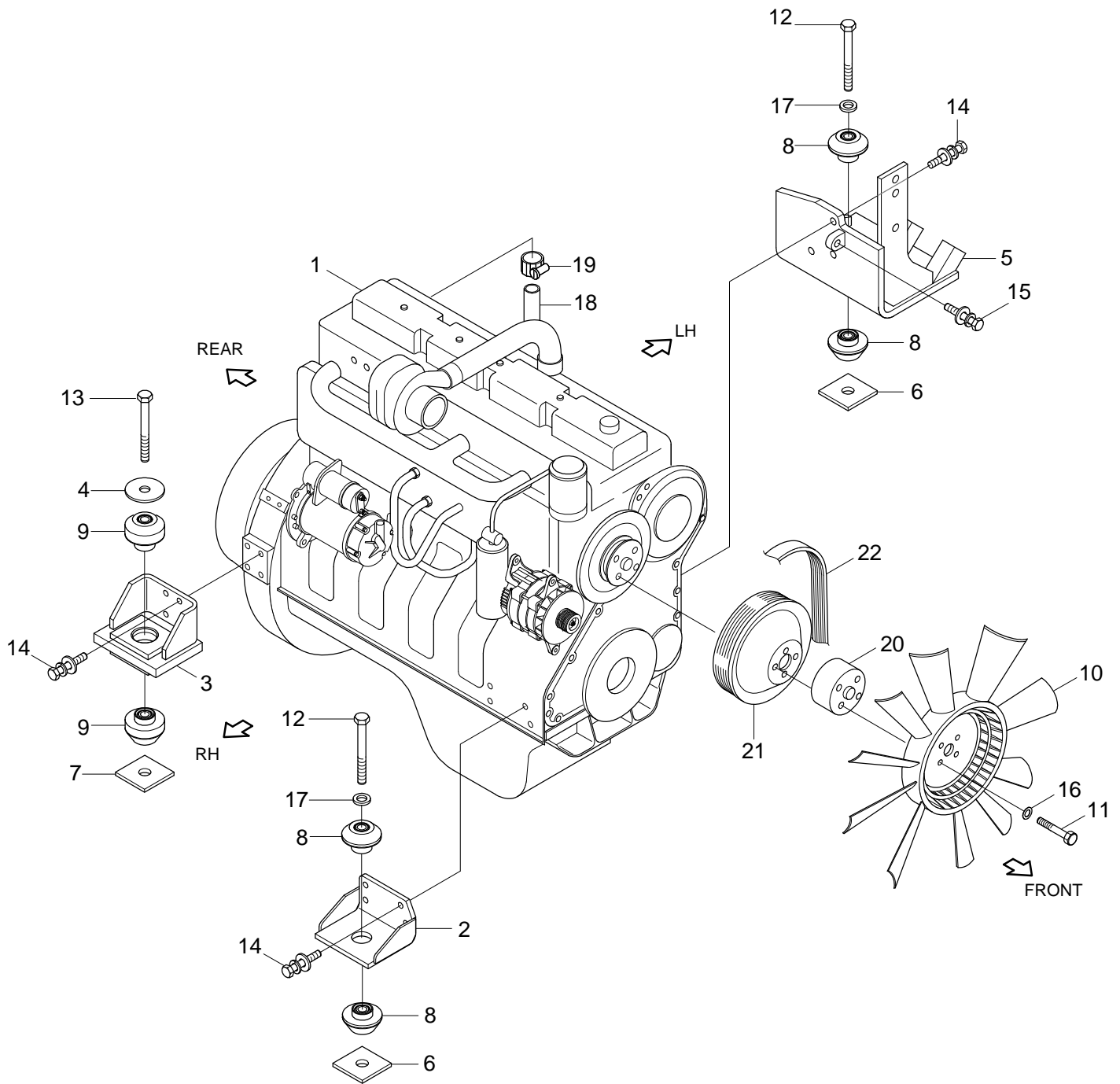
2008. 6.30 REV.8F

2004.10.10 REV.5
2003. 2.28 REV.3
#0234 - 2008. 7.31 REV.8G
#0234 - 2003. 2.28 REV.3

2006. 6.30 REV.6F
#2295 - 2006. 4.30 REV.6D
#2515 - 2006.11.30 REV.6L
#2515 - 2006.11.30 REV.6L
#2515 - 2006.11.30 REV.6L

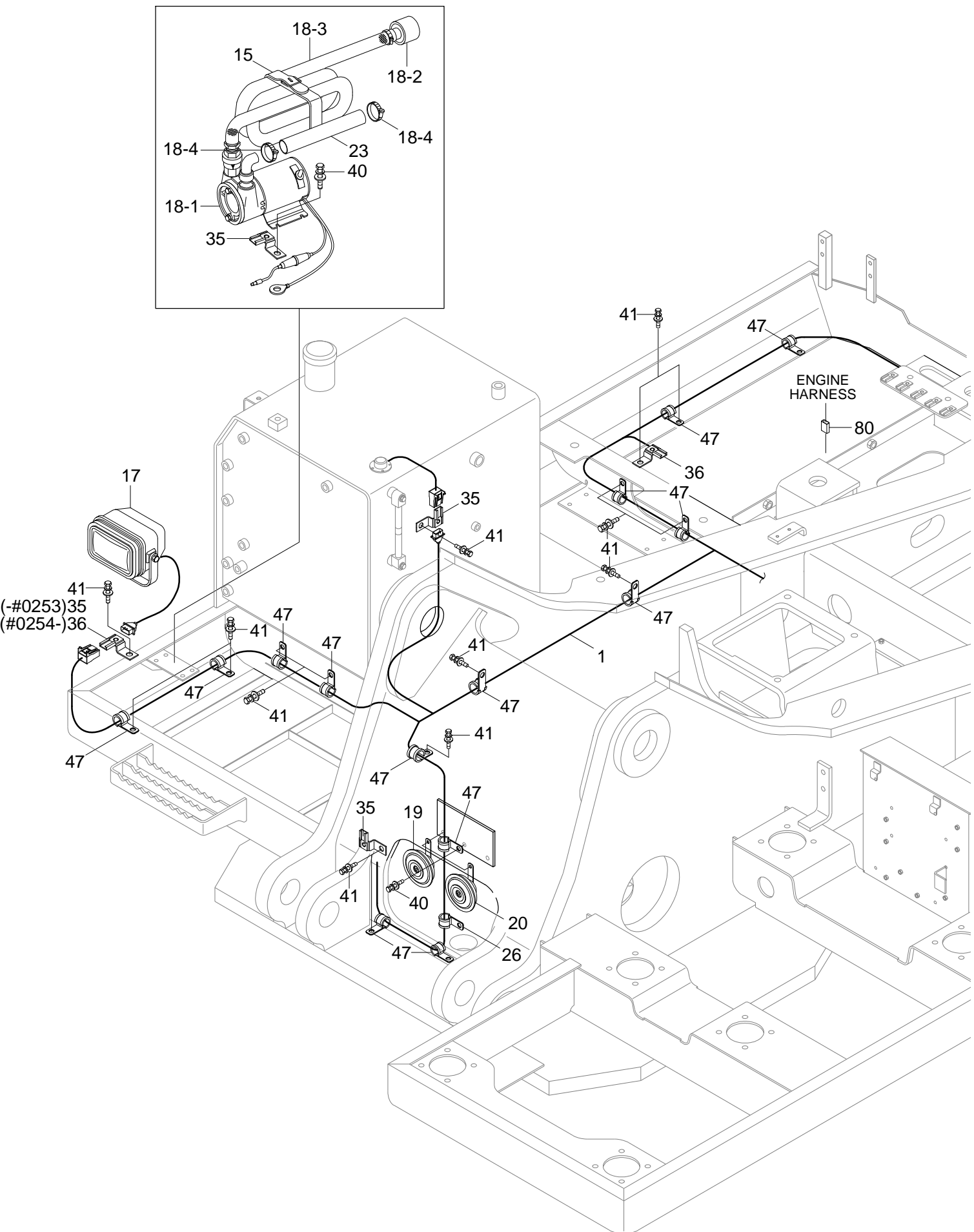
	2007.12.31 REV.7M
	2007.12.31 REV.7M
	2008. 9.30 REV.8J
	2007.12.31 REV.7M
	2010. 6.30 REV.10F
#0239 -	2007.12.31 REV.7M
#0239 -	2007.12.31 REV.7M
#0239 -	2003. 2.28 REV.3
#0239 -	2003. 2.28 REV.3
	2009. 12.10 REV.9M
	2009.12.30 REV.9M
#2936 -	2009.12.30 REV.9M
#1347 -	2009.12.30 REV.9M
#2936 -	2009.12.30 REV.9M
	2004.10.10 REV.5
#2936 -	2008. 11.30 REV.8L
	2007.12.31 REV.7M
#2936 -	2008. 4.30 REV.8D
	2008. 11.30 REV.8L
	2004.10.10 REV.5
	2008. 4.30 REV.8D
	2008. 4.30 REV.8D
	2008. 4.30 REV.8D
#2936 -	2008. 4.30 REV.8D
	2004. 2.28 REV.4
#2936 -	2008. 4.30 REV.8D
	2006. 2.28 REV.6B
#2936 -	2008. 4.30 REV.8D
	2006. 2.28 REV.6B
- #1119	2004. 2.28 REV.4
#1120 - #1779	2005. 2.28 REV.5B
#1780 -	2005. 4.30 REV.5D
#1709 -	2005. 2.28 REV.5B
#1120 - #1779	2005. 2.28 REV.5B
#2551 -	2006. 9.30 REV.6J
#2844 -	2008. 4.30 REV.8D
#2551 -	2006. 9.30 REV.6J
	2004. 2.28 REV.4
#2936 -	2008. 4.30 REV.8D
#1083 -	2007.12.31 REV.7M
- #1000	2003. 2.28 REV.3
#1001 -	2007.12.31 REV.7M
- #1000	2003. 2.28 REV.3
#1001 -	2006.11.30 REV.6L
	2006.11.30 REV.6L
	2006. 7.31 REV.6G
	2007. 4.30 REV.7D
- #1000	2003. 2.28 REV.3
#1001 -	2007.12.31 REV.7M
	2008. 8.31 REV.8H
- #1000	2003. 2.28 REV.3
#1001 -	2008. 8.31 REV.8H
	2007. 3.31 REV.7C
	2007. 4.30 REV.7D

ENGINE MOUNTING



ENGINE ASSY : ITEM #1			
Serial No	Part No.	Pages	Remark
-#1000	11N4-01010	9010 - 9490	Ceres only
#1001 - #1494	11N4-03010	A010 - A500	Ceres only
#1495-	11N4-06010	B010 - B570	This book

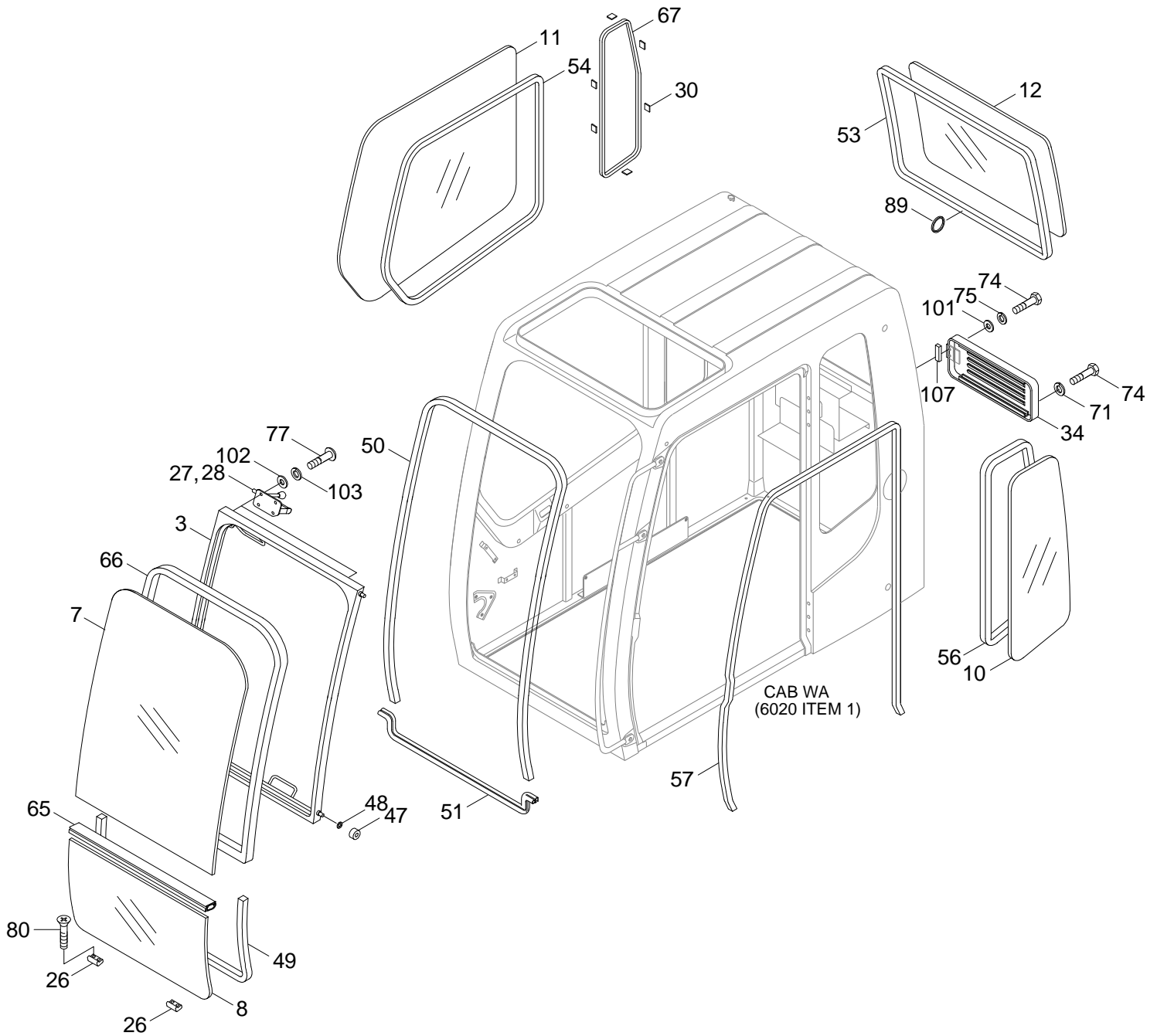
Item	Part_No	IS	Ord	T	Description	Qty	Serial_No	ITC	Remark
1	11N4-01010				ENGINE ASSY	1	- #1000		SEE CERES
	11N4-03010				ENGINE ASSY	1	#1001 - #1494	D	SEE CERES
	11N4-06010				ENGINE ASSY	1	#1495 -	D	SEE B010-B570
2	11N4-00020				BRACKET-FRONT	1			
3	11N4-00040				BRACKET-REAR	2			
4	11N4-00060				WASHER-MOUNT	2			
5	11N4-00200				BRACKET-ENGINE & COMP	1	- #3467		
	11N4-00201				BRACKET-ENGINE & COMP	1	#3468 -	B	
6	11N4-00150				NUT-STOPPER	2			
7	11N4-00160				NUT-STOPPER	2			
8	11N6-08255				RUBBER-MOUNT	4	- #1494		
	11N6-08250				RUBBER-MOUNT	4	#1495 -	D	
9	11N6-10450				RUBBER-MOUNT	4			
10	11EK-02320				FAN(24")	1			STD
	11N4-00180				FAN-RING	1			R/FAN, INLINE
11	S017-101202				BOLT-HEX	4			STD
	S017-101002				BOLT-HEX	4			R/FAN, INLINE
12	S017-161352				BOLT-HEX	2			
13	S017-201452				BOLT-HEX	2			
14	S037-123022				BOLT-W/WASHER	14			
15	S037-125522				BOLT-W/WASHER	1			
16	S403-102002				WASHER-PLAIN	4			
17	S441-160002				WASHER-HARDENED	2			
18	11E9-02080				HOSE-BREATHER	1			
19	S520-027000				CLAMP-HOSE,SCREW TYPE	1			



Item	Part_No	IS	Ord	T	Description	Qty	Serial_No	ITC	Remark
1	21N4-10012				HARNESS-FRAME	1	- #0253		MCV:ALP165
	21N4-10013				HARNESS-FRAME	1	#0254 - #1000	D	MCV:ALP165
	21N4-20011				HARNESS-FRAME	1	#1001 - #1234	D	MCV:ALP165
	21N4-20012				HARNESS-FRAME	1	#1235 - #1460	D	MCV:ALP165
	21N4-20014				HARNESS-FRAME	1	#1461 - #2078	B	MCV:ALP165
	21N4-20015				HARNESS-FRAME	1	#2079 - #2550	B	MCV:ALP165
	21N4-20016				HARNESS-FRAME	1	#2551 -	B	MCV:ALP165
	21N4-20600				HARNESS-FRAME	1	#1602 - #2078	-	MCV:UHX22-26
	21N4-20601				HARNESS-FRAME	1	#2079 - #2550	B	MCV:UHX22-26
	21N4-20602				HARNESS-FRAME	1	#2551 -	B	MCV:UHX22-26
15	E127-3158	20			BAND-FUEL PUMP	1			F/FILLER PUMP
17	21N6-20211				WORK LAMP ASSY	1			
17-1	S866-240650				.BULB	1			NOT SHOWN
18	21N6-20311				FUEL FILLER PUMP	1			OPT
18-1	21N6-20301				.PUMP & MOTOR ASSY	1			OPT
18-2	21EM-46000				.STRAINER ASSY	1			OPT
18-3	21EM-46101				.HOSE	1			OPT
18-4	S520-027000				.CLAMP-HOSE	4			OPT
19	21EA-60521				HORN-LOW	1	- #0253		
	21N5-10050				HORN-LOW	1	#0254 -	D	
20	21EA-60531				HORN-HIGH	1	- #0253		
	21N5-10060				HORN-HIGH	1	#0254 -	D	
23	E127-5007	10			HOSE-OUTLET	1	- #0253		
	21N4-20540				HOSE-OUTLET	1	#0254 - #1825	D	
	21N4-20530				HOSE-OUTLET	1	#1826 -	B	

Item	Part_No	IS	Ord	T	Description	Qty	Serial_No	ITC	Remark
*	@				PILOT HYD PIPING	1	- #1601		NOT
					PILOT HYD PIPING	1	#1602 -	A	NOT
16	P400-062054				HOSE ASSY-COMPACT	1	- #1370		
	X420-062054				HOSE ASSY-SYNFLEX,ORFS	1	#1371 - #1601	D	
	P910-062054				HOSE ASSY-ORFS 0X0	1	#1602 -	A	
17	P420-062027				HOSE ASSY-COMP 0X90	1	- #1000		
	P860-062027				HOSE ASSY-SYN 0X90	1	#1001 - #1218	A	
	P860-062024				HOSE ASSY-SYN 0X90	1	#1219 - #1370	A	
	X420-062024				HOSE ASSY-SYNFLEX,ORFS	1	#1371 - #1601	D	
	P930-062024				HOSE ASSY-ORFS 0X90	1	#1602 -	A	
22	P400-042019				HOSE ASSY-COMPACT	2	- #1370		
	X400-042019				HOSE ASSY-SYNFLEX,ORFS	2	#1371 - #1601	D	
	P910-042019				HOSE ASSY-ORFS 0X0	2	#1602 -	A	
32	P400-042067				HOSE ASSY-COMPACT	2	- #1370		
	X400-042067				HOSE ASSY-SYNFLEX,ORFS	2	#1371 - #1601	D	
	P910-042067				HOSE ASSY-ORFS 0X0	2	#1602 -	A	
49	P400-042058				HOSE ASSY-COMPACT	2	- #1370		
	X400-042058				HOSE ASSY-SYNFLEX,ORFS	2	#1371 - #1601	D	
	P910-042058				HOSE ASSY-ORFS 0X0	2	#1602 -	A	
51	P010-110002				CONNECTOR	1	- #1370		
	X500-110001				CONNECTOR-ORFS	1	#1371 - #1601	D	
62	P020-110001				ELBOW-90	2	- #1370		
	X520-110001				ELBOW-90,ORFS	2	#1371 - #1601	D	
63	P020-110002				ELBOW-90	1	- #1370		
	X520-110002				ELBOW-90,ORFS	1	#1371 - #1601	D	

CAB ASSY(3/6, OPT, #2936-)



Item	Part_No	IS	Ord	T	Description	Qty	Serial_No	ITC	Remark
*	@				CAB ASSY	1	#2936 -	-	NOT
3	71N4-02200BG				.FRONT WINDOW WA	1			
7	71N4-02700				.GLASS	1			LAMINATED GLASS
8	71N6-02711				.GLASS	1			
10	71N6-02731				.GLASS	1			
11	71N6-02740				.GLASS	1			
12	71N6-02750				.GLASS	1			
26	71N6-02880				.INSULATOR	2			
27	71N6-02891				.LATCH ASSY	1			
28	71N6-02901				.LATCH ASSY	1			
30	71EH-10430				.RUBBER	6			
34	71N6-02950BG				.COVER-AIR VENT	1			
47	71N6-03150				.ROLLER	4			
48	S403-10100B				.WASHER-PLAIN	4			
49	71N6-03160				.SEAL	1			
50	71N6-03480				.SEAL-FRONT	1			
51	71N6-03173				.WEATHER STRIP	1			
53	S781-124602				.SEAL	1			
54	71N6-03010				.WEATHER STRIP	1			
56	71N6-03030				.WEATHER STRIP	1			
57	S771-036500				.WEATHER STRIP	1			
65	71N6-03250				.SEAL	1			
66	71N4-03260				.SEAL-FRONT GLASS	1			
67	71N6-03040				.SEAL	1			
71	S403-08200B				.WASHER-PLAIN	1			

Diesel Engines

ABS	Agco-Sisu
Akasaka	Baudouin
BMW	Bukh
Caterpillar	CHN 25/34
Cummins	Daihatsu
Detroit	Deutz
Doosan-Daewoo	Fiat
Ford	GE
Grenaa	Guascor
Hanshin	Hatz
Hino	Honda
Hyundai	Isotta
Isuzu	Iveco
John-Deere	Kelvin
Kioti	Komatsu
Kubota	Liebherr
Lister	Lombardini
MAK	MAN B&W
Mercedes	Mercruiser
Mirrlees BS	Mitsubishi
MTU	MWM
Niigata	Paxman
Perkins	Pielstick
Rolls / Bergen	Ruggerini
Ruston	Scania
Shibaura	Sisu-Valmet
SKL	Smit-Bolnes
Sole	Stork
VM-Motori	Volvo
Volvo Penta	Westerbeke
Wichmann	Yanmar

Machinery

ABG	Airman
Akerman	Ammann
Astra	Atlas Copco
Atlas Weyha.	Atlet
Bell	Bendi
Bigjoe	Bobcat
Bomag	BT
Carelift	Case
Caterpillar	Cesab
Challenger	Champion
Claas	Clark
Combilift	Crown
Daewoo-Doosan	Demag
Deutz-Fahr	Dressta

Machinery

Drott	Dynapack
Extec	Faun
Fendt	Fiat
Fiatallis	Flexicoil
Furukawa	Gehl
Genie	Grove-gmk
Halla	Hamm
Hangcha	Hanix
Hanomag	Hartl
Haulpack	Hiab
Hidromek	Hino truck
Hitachi	Hyster
Hyundai	IHI
Ingersoll-rand	JCB
JLG	John-Deere
Jungheinrich	Kalmar
Kato	Kioti
Kleeman	Kobelco
Komatsu	Kramer
Kubota	Lamborghini
Landini	Liebherr
Linde	Link-belt
Manitou	Massey-Ferg.
Mccormick	MDI-Yutani
Mitsubishi	Moxy
Mustang	Neusson
New-Holland	Nichiyu
Nissan	OK
OM-Pimespo	others-tech
Pel-Job	PH-mining
Poclain	Powerscreen
Same	Samsung
Sandvik	Scania
Schaefer	Schramm
Sennebogen	Shangli
Shibaura	Steiger
Steinbock	Steyr
Still	Sumitomo
Super-pac	Tadano
Takeuchi	TCM
Terex	Toyota
Valpadana	Venieri
Versatile	Vogele
Volvo	Weidemann
Wirtgen	Yale
YAM	Yanmar