

# **PARTS CATALOG**

**Crawler Excavator  
R28-7**

*Use the bookmarks for navigation inside the Parts book*

Tech. Library <https://engine.od.ua>

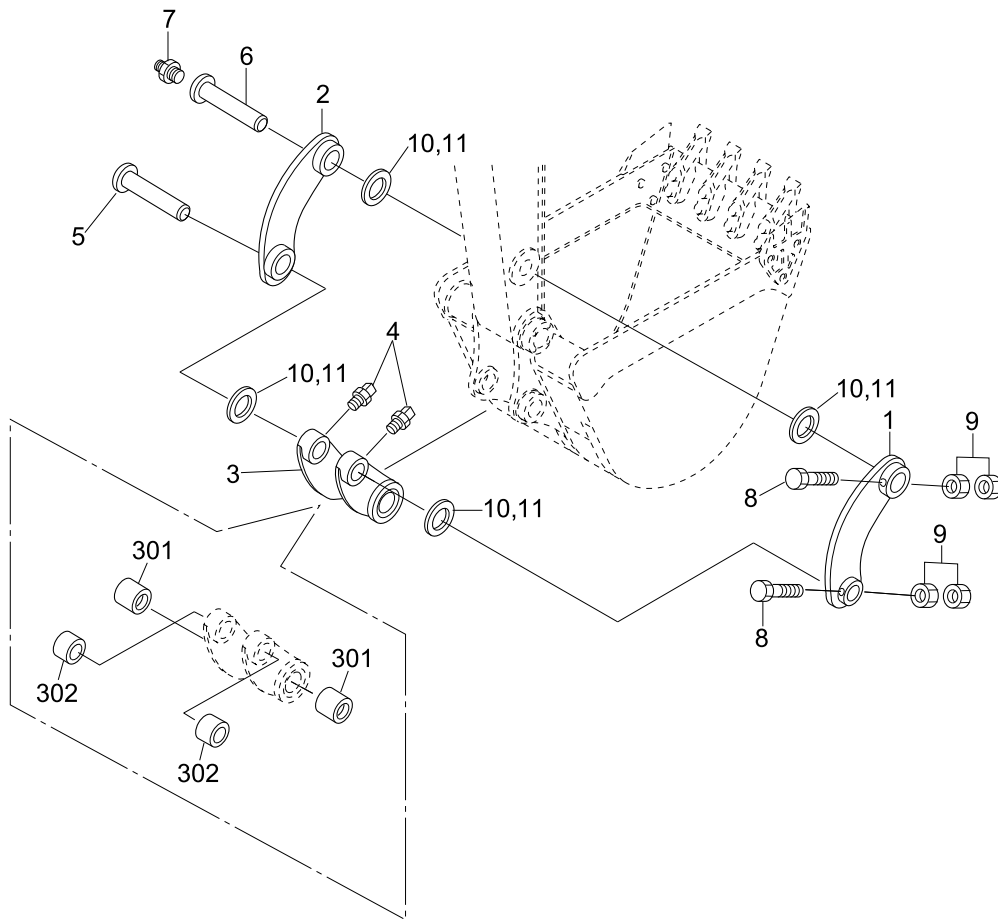
# **HYUNDAI**

## Excavator R28-7

Page	Contents	Serial No	Revision_No
<b>1</b>	<b>SWING ARRANGEMENT</b>		
1001	SWING FRAME		
1002	FUEL TANK		
1003	HYDRAULIC TANK		
1004	HOOD & COVER		
1005	WIRING		
1006	FUEL LINES		
1007	WEIGHT		
1008	GREASE LINES		
1009	KEY PLATE		
<b>2</b>	<b>WORK ARRANGEMENT</b>		
2001	SWING POST		
2002	BOOM		
2003	ARM		
2004	BUCKET LINKAGE		
2005	BOOM COVER		
2006	BOOM LAMP		
2050	BUCKET		2007. 9.30 REV.7J
2051	BUCKET PIN		
2052	LONG ARM		
<b>3</b>	<b>CHASSIS ARRANGEMENT</b>		
3001	UNDERCARRIAGE FRAME		
3002	SWING BEARING		
3003	IDLER		
3004	ADJUSTER		
3005	TRACK		
3006	CARRIER		
3007	SPROCKET		
3008	DOZER		
3009	DOZER COVER		
3050	RUBBER CRAWLER		
3051	STEEL CRAWLER		
<b>4</b>	<b>ENGINE &amp; RADIATOR ARRANGEMENT</b>		
4001	ENGINE		
4002	ENGINE MOUNTING		
4003	AIR CLEANER		
4004	RADIATOR		
<b>5</b>	<b>HYDRAULIC ARRENGEMENT</b>		
5001	PUMP		2006. 1.31 REV.6A
5002	SLEW MOTOR		2006. 1.31 REV.6A
5003	SWIVEL		
5004	TRAVEL MOTOR		2006. 1.31 REV.6A
5005	CONTROL VALVE		
5006	JOYSTICK VALVE		2006. 1.31 REV.6A
5007	PILOT VALVE		2006. 1.31 REV.6A
5008	DOZER VALVE		2006. 1.31 REV.6A
5009	PTO MANIFOLD		
5010	BOOM CYLINDER		
5011	ARM CYLINDER		
5012	BUCKET CYLINDER		
5013	SWING CYLINDER		
5014	DOZER CYLINDER		
5015	PUMP LINES		
5016	COOLER & RETURN LINES		
5017	PILOT LINES		
5018	FRONT LINES		
5019	BOOM SWING LINES		
5020	BOOM LINES		
5021	ARM LINES		

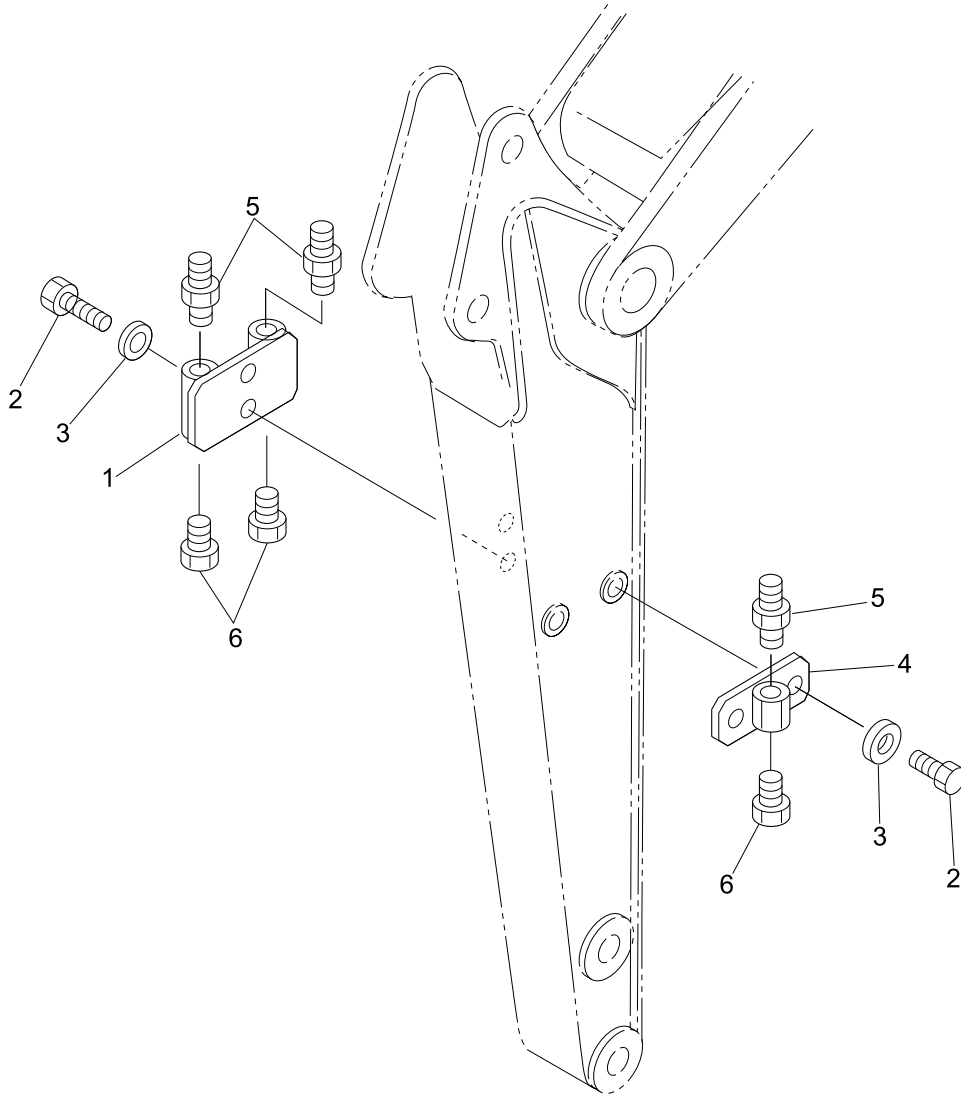
5022	BUCKET LINES		
5023	PTO LINES		
5024	SLEW LINES		
5025	TRAVEL LINES		
5026	DOZER LINES		
5027	PILOT JOYSTICK LINES		
5050	PTO SHUTOFF		
5051	J/D VALVE		
5052	J/D LINES		
5053	BUCKET LINES-LONG		
5054	PTO LINES-LONG		
5060	CONTROL VALVE 1		2006. 1.31 REV.6A
5065	CONTROL VALVE 2		2006. 1.31 REV.6A
<b>6</b>	<b>OPERATOR ARRANGEMENT</b>		
6001	PLATFORM		
6002	FIREWALL		
6003	SEAT		
6004	CONSOLE-LH		
6005	CONSOLE-RH		
6006	TRAVEL CONTROL		
6007	SWING CONTROL		
6008	PTO CONTROL		
6009	GOVERNOR CONTROL		
6010	DOZER LEVER		
6011	HAND REST		
6012	SEAT SUPPORT		
6013	FLOOR PLATE		
6050	CABIN		2006.11.30 REV.6L
6051	HEATER PIPING		
6052	CANOPY		
6053	SEAT BOX COVER		
6054	SEAT		
<b>7</b>	<b>MISCELLANEOUS</b>		
7001	MODEL LABEL		
7003	TOOL		
7004	STD LABEL(ENGLISH)		
7050	CAB LABEL(ENGLISH)		2009. 3.31 REV.9C
7051	CAB LABEL(KOREAN)		2009. 3.31 REV.9C
7060	RADIO-USA		
7070	RADIO-EU		
<b>9</b>	<b>ENGINE BASE</b>		
9010	CYLINDER HEAD		
9020	VALVE MECHANISM		
9030	ROCKER COVER & BREATHER		
9040	CAMSHAFT		
9050	CRANKCASE ASSY		
9060	CRANKCASE		
9070	TIMING GEAR CASE		
9080	FLYWHEEL HOUSING		
9090	OIL PAN		2005. 9.31 REV.5J
9100	PISTON & CONNECTING ROD		
9110	CRANKSHAFT & FLYWHEEL		
9120	TIMING GEAR		
9130	INLET & EXHAUST MANIFOLD		
9140	OIL PUMP		
9150	OIL STRAINER		
9160	OIL FILTER		
9170	COOLING SYSTEM		
9180	FUEL INJECTION PUMP GENERAL		
9190	FUEL SYSTEM		
9200	NOZZLE & NOZZLE HOLDER		
9210	INJECTION PUMP		

9220	GOVERNOR		
9230	STARTER		
9240	ALTERNATOR GENERAL		
9250	ALTERNATOR		205. 9.30 REV.5J
9260	CONTROL SYSTEM		
9270	ACCESSORY		
9280	ACCESSORY(FOR FUEL FILTER)		
9320	OVERHAUL GASKET KIT		



Item	Part_No	IS	Ord	T	Description	Qty	Serial_No	ITC	Remark
1	XJDH-01134				LINK ASSY(LH)-BUCKET	1			
2	XJDH-01135				LINK ASSY(RH)-BUCKET	1			
3	XJDH-01136				LINK ASSY-DUMP	1			
301	XJDH-01041				.BUSHING	2			
302	XJDH-01059				.BUSHING	2			
4	XJDH-00377				NIPPLE-GREASE 90	2			
5	XJDH-01042				PIN-BUCKET CYL ROD	1			
6	XJDH-01043				PIN-BUCKET LINK	1			
7	XJDH-00373				NIPPLE-GREASE	2			
8	XJDH-00064				BOLT	2			
9	XJDH-00175				NUT	4			
10	XJDH-01192				SHIM(A, 0.5T)	AR			
11	XJDH-01193				SHIM(B, 1.0T)	AR			

[ Item List ] - Print Date : 2022.07.23 02:07



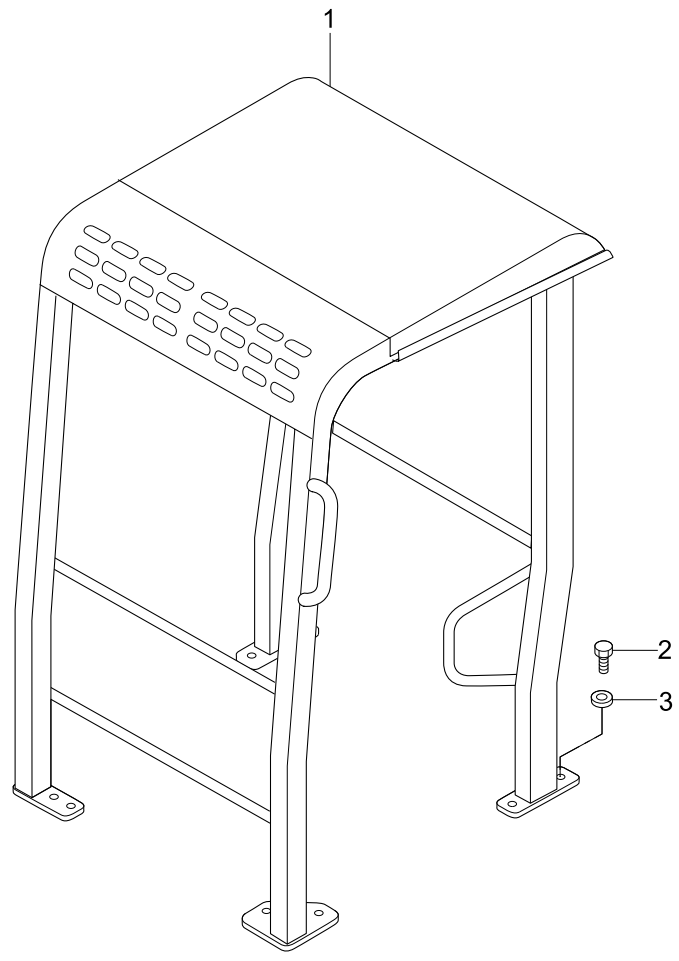
Item	Part_No	IS	Ord	T	Description	Qty	Serial_No	ITC	Remark
1	XJDH-01492				MANIFOLD(A)	1			
2	XJDH-00035				BOLT	4			
3	XJDH-00276				WASHER	4			
4	XJDH-01493				MANIFOLD(B)	1			
5	XJDH-00422				CONNECTOR	3			
6	XJDH-00385				PLUG	3			

[ Item List ] - Print Date : 2022.07.23 03:07



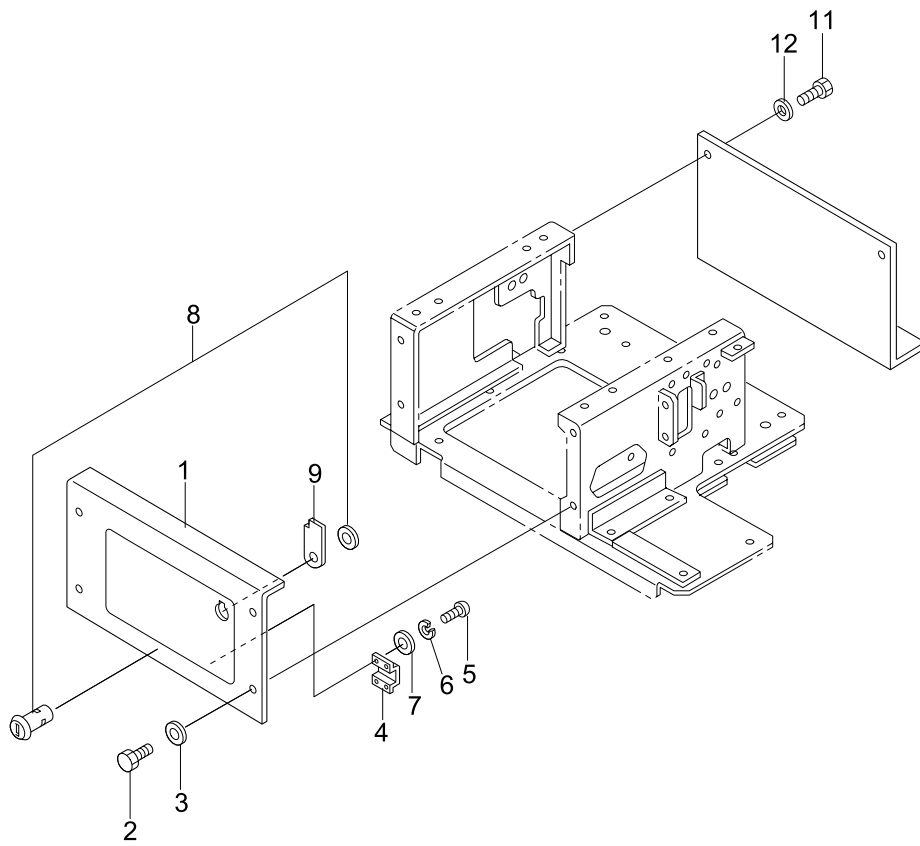
Item	Part_No	IS	Ord	T	Description	Qty	Serial_No	ITC	Remark
1	XJDH-01996				HOSE(P1)	1			
2	XJDH-01997				HOSE(P2)	1			
3	XJDH-01998				HOSE(P3)	1			
4	XJDH-01999				HOSE(R3)	1			
5	XJDH-02000				HOSE(R5)	1			
6	XJDH-02001				HOSE(Z)	1			
7	XJDH-02002				HOSE-SUCTION	1			
8	XJDH-01151				SPRING	2			
9	XJDH-00526				BAND	2			
10	XJDH-00707				BAND-NYLON	5			

[ Item List ] - Print Date : 2022.07.23 03:07



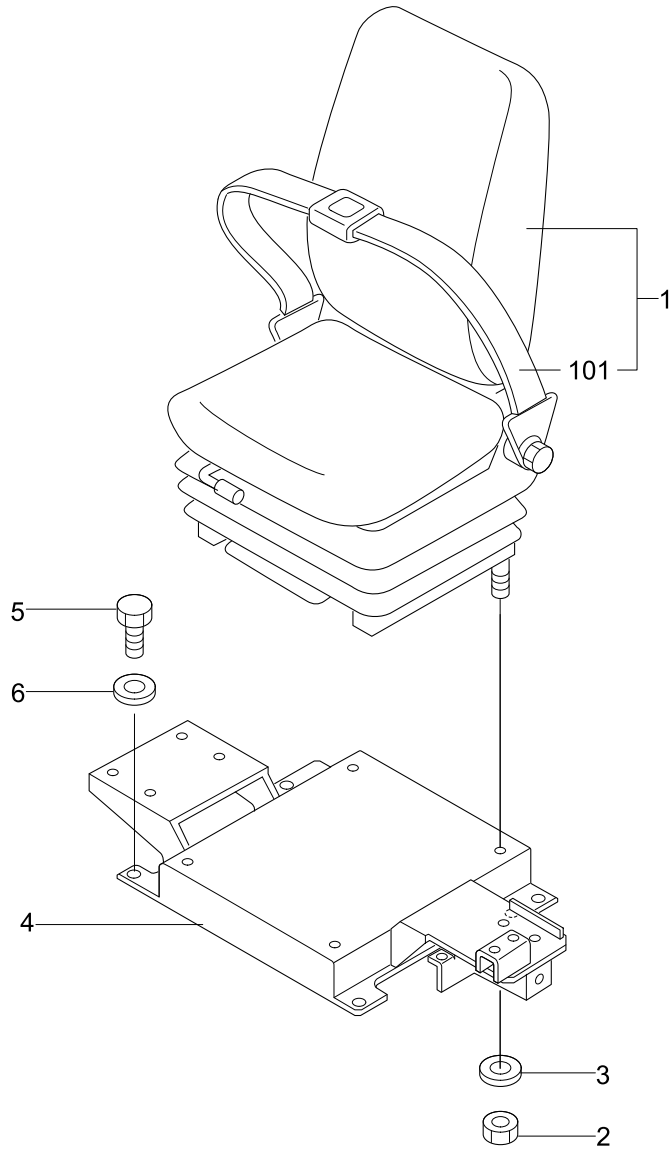
Item	Part_No	IS	Ord	T	Description	Qty	Serial_No	ITC	Remark
1	XJDH-02698				CANOPY ASSY	1			
2	XJDH-00073				BOLT	8			
3	XJDH-00280				WASHER	8			

[ Item List ] - Print Date : 2022.07.23 03:07



Item	Part_No	IS	Ord	T	Description	Qty	Serial_No	ITC	Remark
1	XJDH-02447				COVER-FRONT	1			
2	XJDH-00021				BOLT	4			
3	XJDH-00274				WASHER	4			
4	XJDH-00001				LATCH	1			
5	XJDH-00215				SCREW-PANHEAD	2			
6	XJDH-00238				WASHER-SPRING	2			
7	XJDH-00253				WASHER	2			
8	XJDH-02845				KEY ASSY	1			
9	XJDH-02847				PLATE-LOCK	1			
10	XJDH-02448				COVER	1			
11	XJDH-00034				BOLT	3			
12	XJDH-00276				WASHER	3			

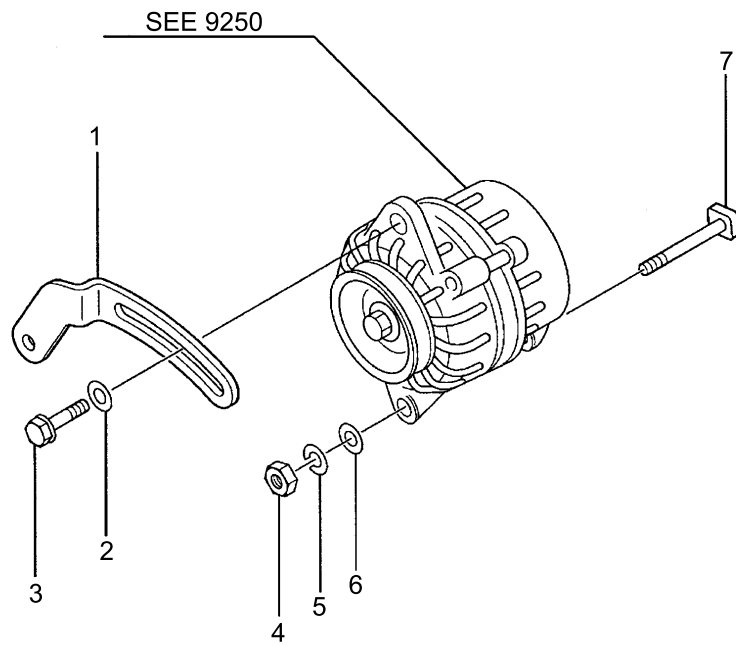
[ Item List ] - Print Date : 2022.07.23 03:07



Item	Part_No	IS	Ord	T	Description	Qty	Serial_No	ITC	Remark
1	XJDH-02439				SEAT ASSY	1			
N101	@				.BELT-SEAT	1			NOT
2	XJDH-00165				NUT	4			
3	XJDH-00276				WASHER	4			
4	XJDH-02438				PLATE-SEAT	1			
5	XJDH-00057				BOLT	4			
6	XJDH-00278				WASHER	4			
N	@				NOT INDIVIDUALLY SUPPLIED	AR			NOT

[ Item List ] - Print Date : 2022.07.23 03:07

# ALTERNATOR GENERAL





Item	Part_No	IS	Ord	T	Description	Qty	Serial_No	ITC	Remark
1	XJAF-01703				PLATE-ADJUSTING	1			
2	XJAF-01941				WASHER-PLAIN	1			
3	XJAF-01974				BOLT	1			
4	XJAF-01991				NUT	1			
5	XJAF-02003				WASHER SPRING	1			
6	XJAF-01999				WASHER PLAIN	1			
7	XJAF-01704				BOLT-ALTERNATOR	1			

[ Item List ] - Print Date : 2022.07.23 11:07

Diesel Engines

ABS	Agco-Sisu
Akasaka	Baudouin
BMW	Bukh
Caterpillar	CHN 25/34
Cummins	Daihatsu
Detroit	Deutz
Doosan-Daewoo	Fiat
Ford	GE
Grenaa	Guascor
Hanshin	Hatz
Hino	Honda
Hyundai	Isotta
Isuzu	Iveco
John-Deere	Kelvin
Kioti	Komatsu
Kubota	Liebherr
Lister	Lombardini
MAK	MAN B&W
Mercedes	Mercruiser
Mirrlees BS	Mitsubishi
MTU	MWM
Niigata	Paxman
Perkins	Pielstick
Rolls / Bergen	Ruggerini
Ruston	Scania
Shibaura	Sisu-Valmet
SKL	Smit-Bolnes
Sole	Stork
VM-Motori	Volvo
Volvo Penta	Westerbeke
Wichmann	Yanmar

Machinery

ABG	Airman
Akerman	Ammann
Astra	Atlas Copco
Atlas Weyha.	Atlet
Bell	Bendi
Bigjoe	Bobcat
Bomag	BT
Carelift	Case
Caterpillar	Cesab
Challenger	Champion
Claas	Clark
Combilift	Crown
Daewoo-Doosan	Demag
Deutz-Fahr	Dressta

Machinery

Drott	Dynapack
Extec	Faun
Fendt	Fiat
Fiatallis	Flexicoil
Furukawa	Gehl
Genie	Grove-gmk
Halla	Hamm
Hangcha	Hanix
Hanomag	Hartl
Haulpack	Hiab
Hidromek	Hino truck
Hitachi	Hyster
Hyundai	IHI
Ingersoll-rand	JCB
JLG	John-Deere
Jungheinrich	Kalmar
Kato	Kioti
Kleeman	Kobelco
Komatsu	Kramer
Kubota	Lamborghini
Landini	Liebherr
Linde	Link-belt
Manitou	Massey-Ferg.
Mccormick	MDI-Yutani
Mitsubishi	Moxy
Mustang	Neusson
New-Holland	Nichiyu
Nissan	OK
OM-Pimespo	others-tech
Pel-Job	PH-mining
Poclain	Powerscreen
Same	Samsung
Sandvik	Scania
Schaefer	Schramm
Sennebogen	Shangli
Shibaura	Steiger
Steinbock	Steyr
Still	Sumitomo
Super-pac	Tadano
Takeuchi	TCM
Terex	Toyota
Valpadana	Venieri
Versatile	Vogele
Volvo	Weidemann
Wirtgen	Yale
YAM	Yanmar