

# PARTS CATALOG

## **Crawler Excavator R55-7A**

*Use the bookmarks for navigation inside the Parts book*

Tech. Library <https://engine.od.ua>

# HYUNDAI

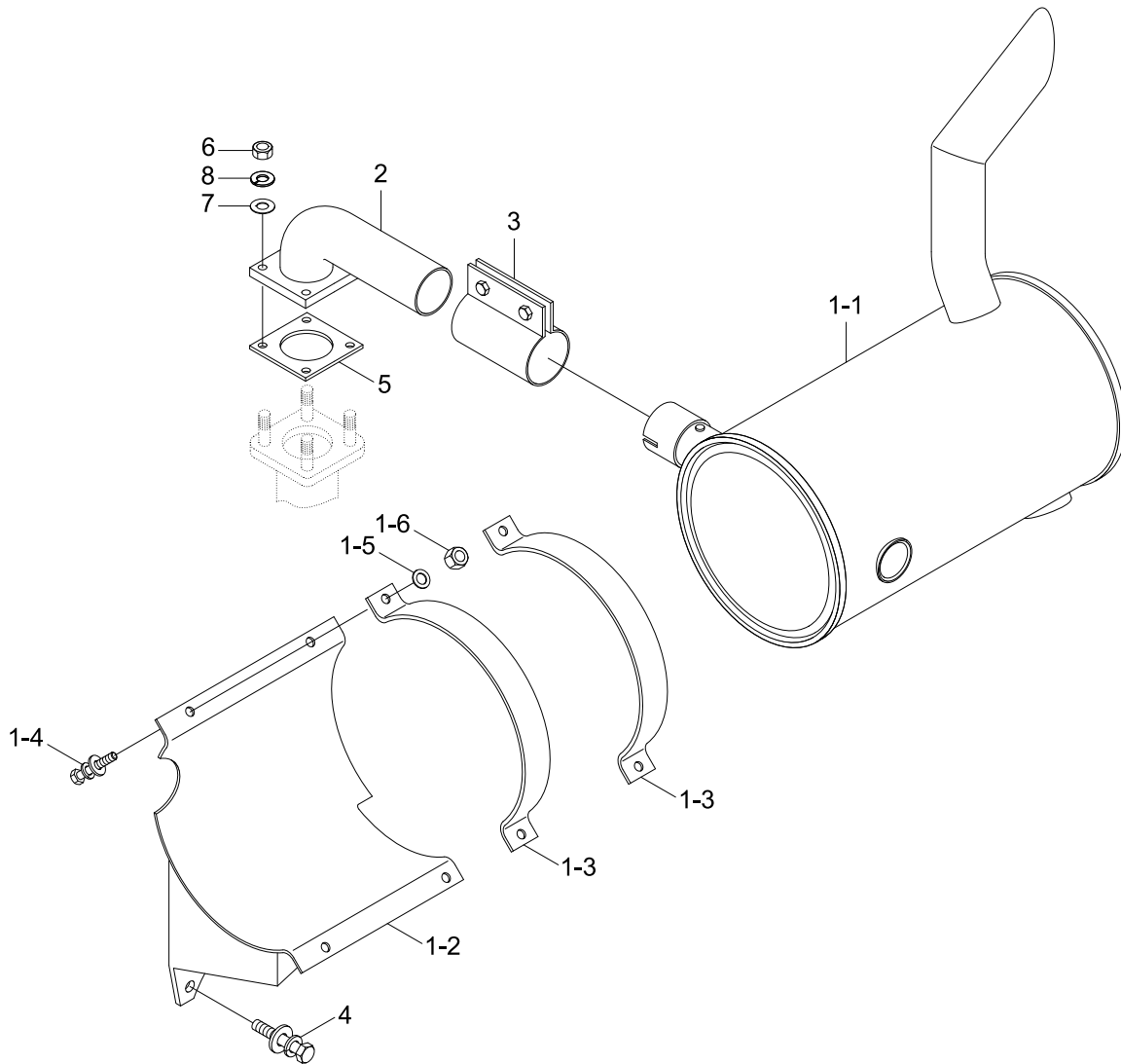
## Excavator R55-7A

Page	Contents	Serial No	Revision_No
<b>1</b>	<b>ENGINE SYSTEM</b>		
1010	ENGINE MOUNTING		
1020	AIR INTAKE SYSTEM		
1030	EXHAUST SYSTEM		
1040	COOLING SYSTEM		2008.10.31 REV.8K
1050	RADIATOR TOTAL ASSY		
1060	FUEL SYSTEM		
1070	FUEL TANK		2008. 9.30 REV.8J
1100	AIR CON & HEATER MOUNTING		
1110	AIR CON & HEATER UNIT		
1120	AIR CONDITIONER MOUNTING		
1130	AIR CONDITIONER UNIT		
1140	HEATER MOUNTING		
1150	HEATER UNIT		
<b>2</b>	<b>ELECTRIC SYSTEM</b>		
2010	RH ELECTRIC		2009. 9.30 REV.9J
2020	LH ELECTRIC		2008. 11.30 REV.8L
2030	BOOM ELECTRIC		2008. 11.30 REV.8L
2040	CABIN ELECTRIC 1		2008. 6.30 REV.8F
2050	CABIN ELECTRIC 2		2008. 9.30 REV.8J
2060	CLUSTER		
2080	FUEL FILLER PUMP		2009. 9.30 REV.9J
<b>3</b>	<b>HYDRAULIC SYSTEM</b>		
3010	PUMP MOUNTING		
3020	HYDRAULIC TANK		
3030	MCV AND RCV INSTALL		
3040	UPPER HYDRAULIC PIPING 1		
3050	UPPER HYDRAULIC PIPING 2		
3060	UPPER HYDRAULIC PIPING 3		2008. 9.30 REV.8J
3070	UPPER HYDRAULIC PIPING 4		
3080	UPPER HYDRAULIC PIPING 5(B/SWING)		
3100	PILOT HYD PIPING 1 (B/SWING)		
3110	PILOT HYD PIPING 2 (RCV-DOZER)		
3120	PILOT HYD PIPING 3 (SOLENOID)		
3130	PILOT HYD PIPING 4 (TRAVEL)		
3140	PILOT HYD PIPING 5 (RCV-PEDAL)		
3150	PILOT HYD PIPING 6 (RCV-LEVER)		
3160	PILOT HYD PIPING 7 (PATTERN VALVE)		
3200	TRAVEL HYDRAULIC PIPING		
3210	ATTACH HYDRAULIC PIPING		
3220	QUICK CLAMP HYD PIPING		
3300	DOUBLE ACTING HYD PIPING		
<b>4</b>	<b>HYDRAULIC COMPONENT</b>		
4010	MAIN PUMP(1/3, T5VP2D25)	- #0202	2009. 3.31 REV.9C
4020	MAIN PUMP(2/3, T5VP2D25)	- #0202	2009. 3.31 REV.9C
4030	GEAR PUMP(3/3, T5VP2D25)	- #0202	2009. 3.31 REV.9C
4040	MAIN PUMP(1/4, AP2D28)	#0203 -	2009. 3.31 REV.9C
4050	MAIN PUMP(2/4, AP2D28)	#0203 -	2009. 3.31 REV.9C
4060	GEAR PUMP(3/4, AP2D28)	#0203 -	2009. 3.31 REV.9C
4070	GEAR PUMP(4/4, AP2D28)	#0203 -	2009. 3.31 REV.9C
4110	MAIN CONTROL VALVE(1/4)		
4111	MAIN CONTROL VALVE(1/4, TWO OPT)		
4120	MAIN CONTROL VALVE(2/4)		
4121	MAIN CONTROL VALVE(2/4, TWO OPT)		
4130	MAIN CONTROL VALVE(3/4)		
4140	MAIN CONTROL VALVE(4/4)		
4210	SWING MOTOR		
4220	SWING REDUCTION GEAR		
4230	TRAVEL MOTOR(1/3, JMV-43)		

4240	TRAVEL MOTOR(2/3, JMV-43)		
4250	TRAVEL MOTOR(3/3, JMV-43)		
4260	TRAVEL MOTOR(1/4, TM07VC)		
4270	TRAVEL MOTOR(2/4, TM07VC)		
4280	TRAVEL MOTOR(3/4, TM07VC)		
4290	TRAVEL MOTOR(4/4, TM07VC)		
4310	REMOTE CONTROL LEVER		
4320	TURNING JOINT		
4330	SOLENOID VALVE		
4340	RCV PEDAL		
4410	BOOM CYLINDER		
4420	ARM CYLINDER		
4430	BUCKET CYLINDER		
4440	DOZER BLADE CYLINDER(W/O VALVE)		
4441	DOZER BLADE CYLINDER(WITH VALVE)		2010. 5.31 REV.10E
4450	BOOM SWING CYLINDER		
4500	QUICK CLAMP ASSY(HOOK TYPE 1)		
4510	QUICK CLAMP ASSY(HOOK TYPE 2)		
4520	QUICK CLAMP ASSY(CLOSED TYPE 1)		
<b>5</b>	<b>UNDERCARRIAGE</b>		
5010	UNDERCARRIAGE		2008.10.31 REV.8K
5020	TRACK ROLLER		2008. 4.30 REV.8D
5030	IDLER & T/CYLINDER ASSY		2008.10.31 REV.8K
5040	TRACK CHAIN		2008.10.31 REV.8K
5110	UNDERCARRIAGE(RUBBER TRACK)		2008.10.31 REV.8K
5120	TRACK ROLLER(RUBBER TRACK)		
5130	IDLER & T/CYL ASSY(RUBBER TRACK)		2008.10.31 REV.8K
<b>6</b>	<b>STRUCTURE</b>		
6010	CABIN MOUNTING		2008. 5.31 REV.8E
6020	CABIN ASSY(1/6)		
6030	CABIN ASSY(2/6)		
6040	CABIN ASSY(3/6)		
6050	CABIN ASSY(4/6, SIDE DOOR ASSY)		
6060	CABIN ASSY(5/6, SLIDING DOOR ASSY)		
6070	CABIN ASSY(6/6, SASH-RH ASSY)		
6100	CABIN INTERIOR 1		
6110	CABIN INTERIOR 2		
6120	BOTTOM PLATE		
6130	SEAT BASE ASSY		
6140	CONSOLE FRAME ASSY(LH)		
6150	SEAT(STD)		
6155	SEAT(OPTION)		
6200	COWLING		2008. 9.30 REV.8J
6210	ENGINE HOOD SUB ASSY		
6220	BATTERY BOX ASSY		
6300	UNDER COVER		
6310	GROMMET GROUP		2008. 4.30 REV.8D
6320	UPPER FRAME & COUNTERWEIGHT		
6330	SWING RING GREASE LUB SYSTEM		2010. 7.31 REV.10G
6400	LOWER FRAME		
6410	DOZER BLADE		2008.10.31 REV.8K
6420	BOOM SWING SYSTEM		2008.10.31 REV.8K
<b>7</b>	<b>ATTACHMENT</b>		
7010	BOOM MOUNTING		
7020	BOOM(3.0M, STD)		
7030	BOOM(3.0M, WOODGRAB)		
7100	ARM(1.6M, STD)		
7110	ARM(1.9M, LONG)		
7120	ARM(1.6M, WOODGRAB)		
7200	BUCKET(0.18M3 SAE HEAPED, STD)		
7210	BUCKET(0.07M3 SAE HEAPED)		
7300	BUCKET CONTROL GROUP		

<b>8</b>	<b>OTHERS</b>		
8010	TOOLS		2009. 12.14 REV.9M
8100	DECALS		2010. 5.31 REV.10E
<b>9</b>	<b>ENGINE BASE</b>		
9010	CYLINDER BLOCK		
9020	GEAR HOUSING		
9030	FLYWHEEL HOUSING & OIL SUMP		
9040	CYLINDER HEAD & BONNET		
9050	SUCTION MANIFOLD		
9060	EXHAUST MANIFOLD		
9070	CAMSHAFT & DRIVING GEAR		
9080	CRANKSHAFT & PISTON		
9090	LUB OIL SYSTEM		
9100	COOLING WATER SYSTEM		
9110	FUEL INJECTION PUMP		
9120	GOVERNOR		
9130	FUEL INJECTION VALVE		
9140	FUEL LINE		
9150	STARTING MOTOR		
9160	GENERATOR		
9170	ELECTRIC PARTS		
9180	GASKET SET		

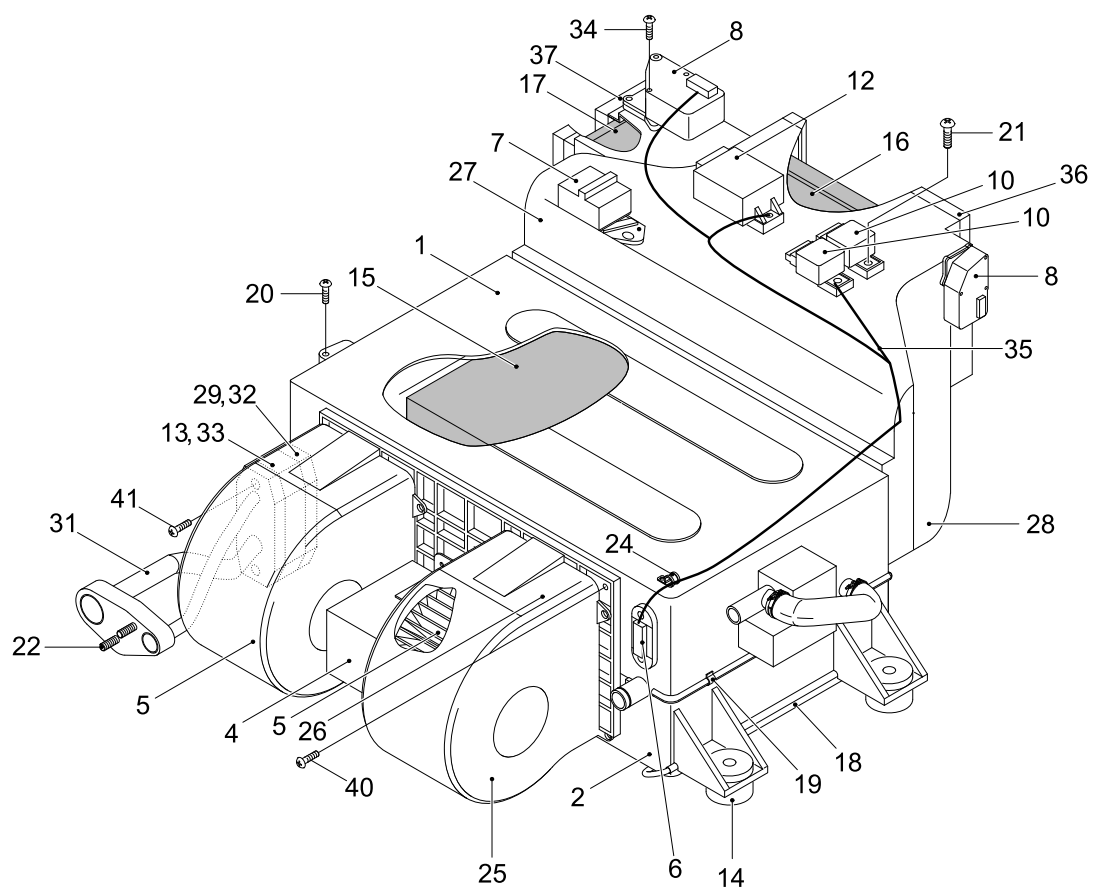
# EXHAUST SYSTEM



Item	Part_No	IS	Ord	T	Description	Qty	Serial_No	ITC	Remark
1	11N1-32201				MUFFLER SUB ASS'Y	1			
1-1	11N1-32111				.MUFFLER WA	1			
1-2	11N1-32120				.BRACKET-MUFFLER	1			
1-3	11M8-32260				.CLAMP-BAND	2			
1-4	S035-083026				.BOLT-W/WASHER	4			
1-5	S441-080006				.WASHER-HARDENED	4			
1-6	S205-081006				.NUT-HEX	4			
2	11M8-30020				PIPE WA	1			
3	11M8-30040				CLAMP-SEAL	1			
4	S037-103056				BOLT-W/WASHER	3			
5	11M6-56100				GASKET	1			
6	S205-081006				NUT-HEX	4			
7	S403-08100B	00			WASHER-PLAIN	4			
8	S411-080006				WASHER-SPRING	4			

[ Item List ] - Print Date : 2022.07.24 13:07

# AIR CONDITIONER UNIT



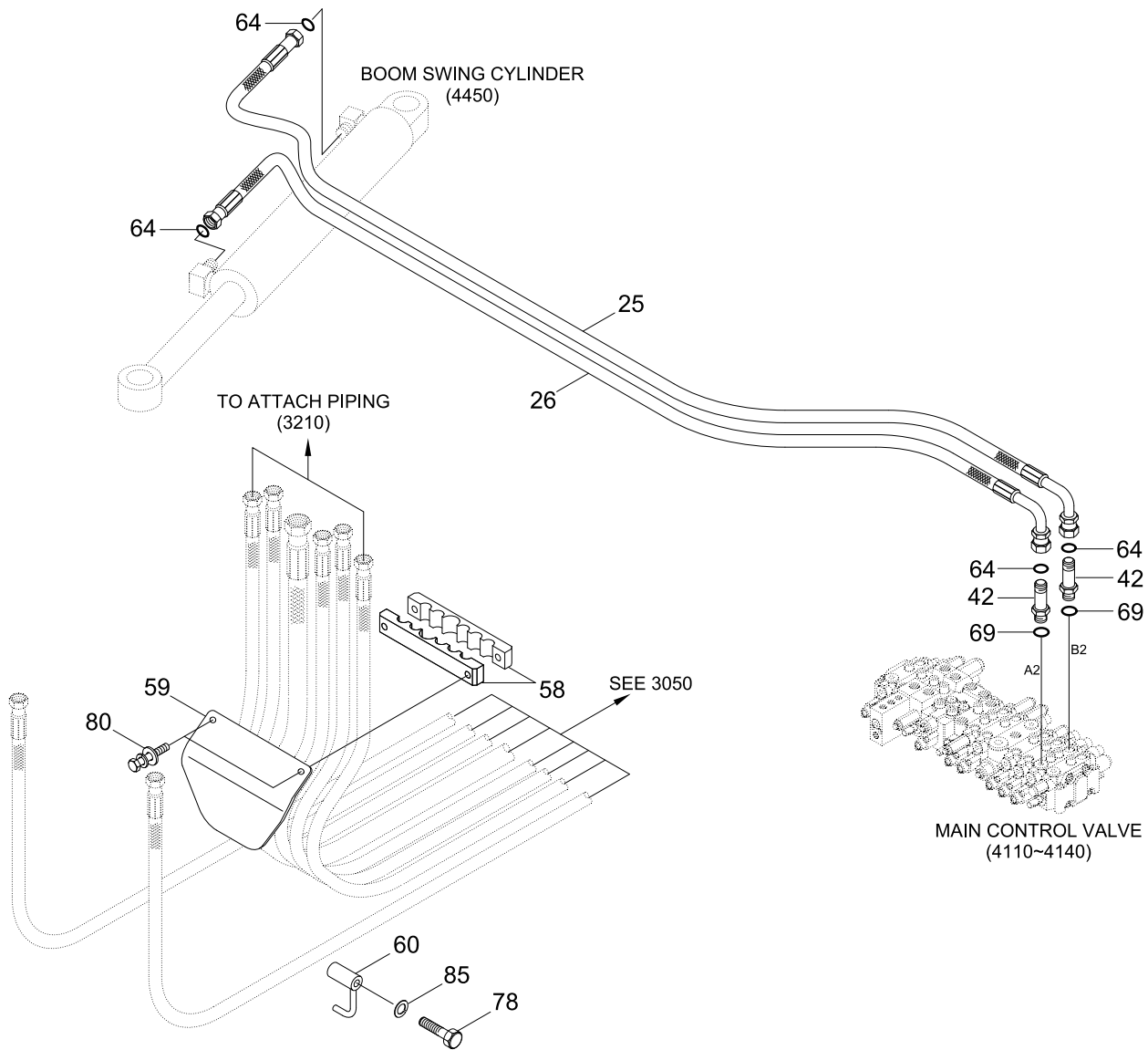
Item	Part_No	IS	Ord	T	Description	Qty	Serial_No	ITC	Remark
*	11M8-90200				AIR CON UNIT(NSP)	1			SEE 1120
N1	11M8-90500				.CASE-HVAC, UPPER	1			NOT
2	11M8-90510				.CASE-HVAC,LOWER	1			
4	11M8-90530				.MOTOR ASSY	1			
5	11M8-90540				.FAN	2			
6	11M8-90550				.THERMOCON ASSY	1			
7	11M8-90561				.RESISTOR	1			
8	11M8-90570				.ACTUATOR	2			
10	11M8-90590				.RELAY	2			
12	11M8-90610				.CONTROL ASSY	1			
13	11M8-90580				.VALVE-EXPANSION	1			
14	11M8-90630				.PAD-RUBBER	4			
15	11M8-90640				.CORE ASSY	1			
N16	11M8-90650				.DOOR-VENT ASSY	1			NOT
N17	11M8-90660				.DOOR-FOOT ASSY	1			NOT
18	11M8-90670				.HOSE-DRAIN	2			
19	11M8-90680				.CLIP	4			
20	11M8-90690				.BOLT-HEX	2			
21	11M8-90700				.SCREW	11			
22	11M8-90710				.BOLT-STUD	2			
N24	11M8-90730				.CLAMP-LEAD	2			NOT
N25	11M8-90740				.BLOWER CASE-UPPER	1			NOT
26	11M8-90750				.BLOWER CASE-LOWER	1			
N27	11M8-90760				.DIST CASE-UPPER	1			NOT
N28	11M8-90770				.DIST CASE-LOWER	1			NOT
29	11M8-90780				.BRACKET-JOINT	1			

[ Item List ] - Print Date : 2022.07.24 13:07



Item	Part_No	IS	Ord	T	Description	Qty	Serial_No	ITC	Remark
31	11M8-90800				.FLANGE & PIPE ASSY	1			
32	11M8-90810				.O-RING	3			
33	11M8-90820				.O-RING	1			
N34	11M8-90830				.SCREW	6			NOT
35	11M8-90840				.HARNESS ASSY	1			
36	11M8-90850				.BRACKET-HEATER VLV	1			
37	11M8-90860				.P.H.T SCREW	1			
N40	11M8-90900				.SCREW	9			NOT
41	11M8-90910				.BOLT	2			
N	@					AR			NOT

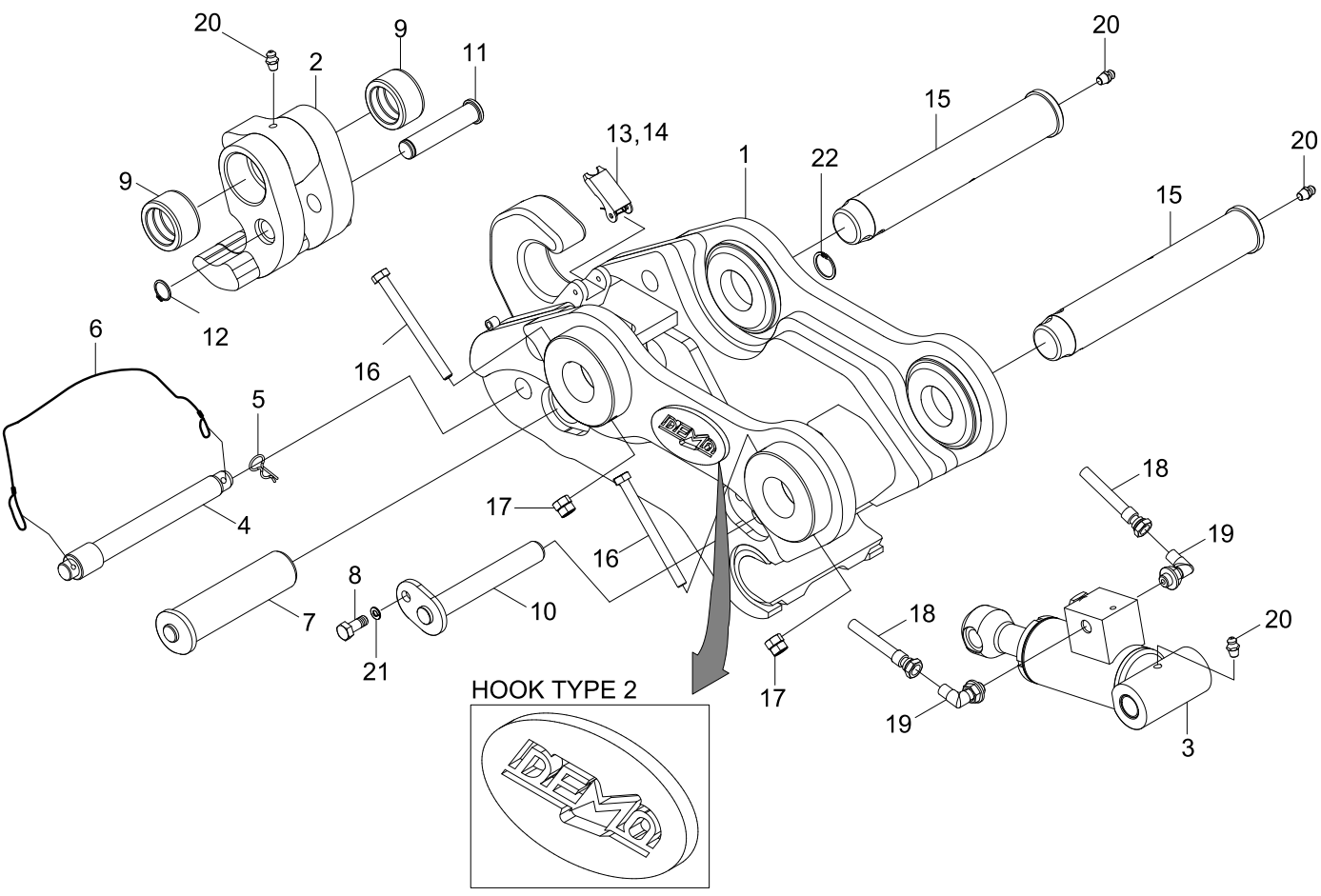
# UPPER HYD PIPING 5(BOOM SWING)



Item	Part_No	IS	Ord	T	Description	Qty	Serial_No	ITC	Remark
25	P930-065042				HOSE ASSY-ORFS 0X90	1			
26	P930-065038				HOSE ASSY-ORFS 0X90	1			
42	X511-108524				CONNECTOR-LONG,ORFS	2			
58	31M8-11061				CLAMP-RUBBER	1			
59	31M8-11072				COVER-SWING POST	1			
60	31M8-11082				GUIDE-HOSE	2			
64	S621-012001				O-RING	4			
69	S631-018004				O-RING	2			
78	S017-120756				BOLT-HEX	2			
80	S037-102526				BOLT-W/WASHER	2			
85	S403-10200B	00			WASHER-PLAIN	2			

[ Item List ] - Print Date : 2022.07.24 13:07

# QUICK CLAMP ASSY(HOOK TYPE 2)



Item	Part_No	IS	Ord	T	Description	Qty	Serial_No	ITC	Remark
*	31M8-95610				QUICK COUPLER ASSY	1			HOOK TYPE 2
1	XKBN-00367				.BODY	1			
2	XKBN-00366				.HITCH	1			
3	XKBN-00365				.CYLINDER ASS'Y	1			
4	XKBN-00042				.PIN-SAFETY	1			
5	XKBN-00043				.PIN-SNAP	1			
6	XKBN-00357				.WIRE ASSY	1			
7	XKBN-00358				.PIN-HITCH	1			
8	XKBN-00359				.BOLT-HEX	2			
9	XKBN-00360				.BUSHING-HITCH	2			
10	XKBN-00364				.PIN-FRAME	1			
11	XKBN-00049				.PIN-CYLINDER	1			
12	XKBN-00050				.RING-SNAP	1			
13	XKBN-00051				.LATCH WITH SPRING	1			
14	XKBN-00052				.PIN-SPRING	1			
15	XKBN-00062				.PIN-BRACKET	2			
16	XKBN-00362				.BOLT-HEX	2			
17	XKBN-00064				.NUT-HEX	4			
18	XKBN-00055				.HOSE ASSY-0X0	2			
19	XKBN-00056				.ELBOW 90	2			
20	XKBN-00009				.NIPPLE-GREASE	4			
21	XKBN-00065				.WASHER-SPRING	3			
22	XKBN-00109				.RING-SNAP	2			

[ Item List ] - Print Date : 2022.07.24 14:07