

# **OPERATION MANUAL**

**EXCAVATOR  
R55-7**

# **HYUNDAI**

[\*http://marengine.com/r55-7-excavator\*](http://marengine.com/r55-7-excavator)

# CONTENTS

Foreword .....	0-1	6. Efficient working method .....	4-11
Before servicing this machine .....	0-2	7. Operation in the special work sites .....	4-15
EC regulation approved .....	0-3	8. Normal operation of excavator .....	4-17
Table to enter S/No and distribution .....	0-4	9. Attachment lowering .....	4-18
Safety labels .....	0-5	10. Storage .....	4-19
Guide(Direction, S/No, Symbol) .....	0-13	11. RCV lever operating pattern .....	4-21

## SAFETY HINTS

1. Before operating the machine .....	1-1
2. During operating the machine .....	1-6
3. During maintenance .....	1-13
4. Parking .....	1-16

## SPECIFICATIONS

1. Major components .....	2-1
2. Specifications .....	2-2
3. Working range .....	2-3
4. Weight .....	2-4
5. Lifting capacities .....	2-5
6. Bucket selection guide .....	2-7
7. Undercarriage .....	2-12
8. Specification for major components .....	2-13
9. Recommended oils .....	2-16

## CONTROL DEVICES

1. Cab devices .....	3-1
2. Cluster .....	3-2
3. Switches .....	3-7
4. Levers and pedals .....	3-10
5. Air conditioner and heater .....	3-13
6. Others .....	3-15

## OPERATION

1. Suggestion for new machine .....	4-1
2. Check before starting the engine .....	4-2
3. Starting and stop the engine .....	4-3
4. Operation of the working device .....	4-7
5. Traveling of the machine .....	4-8

## TRANSPOTATION

1. Preparation for transportation .....	5-1
2. Dimension and weight .....	5-2
3. Loading the machine .....	5-4
4. Fixing the machine .....	5-6
5. Loading and unloading by crane .....	5-7

## MAINTENANCE

1. Instruction .....	6-1
2. Tightening torque .....	6-6
3. Fuel, coolant and lubricants .....	6-9
4. Maintenance check list .....	6-11
5. Maintenance chart .....	6-16
6. Service instruction .....	6-18
7. Electrical system .....	6-36
8. Air conditioner and heater .....	6-39

## TROUBLESHOOTING GUIDE

1. Engine .....	7-1
2. Electrical system .....	7-2
3. Others .....	7-3

## HYDRAULIC BREAKER AND QUICK CLAMP

1. Selecting hydraulic breaker .....	8-1
2. Circuit configuration .....	8-2
3. Maintenance .....	8-3
4. Precaution while operating the breaker .....	8-4
5. Quick clamp .....	8-6

INDEX .....	9-1
-------------	-----

## FOREWORD

This manual contains a number of instructions and safety recommendations regarding driving, handling, lubrication, maintenance, inspection and adjustment of the excavator.

The manual is to promote safety maintenance and enhance machine performance.

Keep this manual handy and have all personnel read it periodically.

If you sell the machine, be sure to give this manual to the new owners.

This machine complies with EC directive "98/37/EEC".

1. **Read** and **understand** this manual before operating the machine.

This operator's manual may contain attachments and optional equipment that are not available in your area. Please consult your local Hyundai distributor for those items you require.

Improper operation and maintenance of this machine can be hazardous and could result in serious injury or death.

Some actions involved in operation and maintenance of the machine can cause a serious accident, if they are not done in a manner described in this manual.

The procedures and precautions given in this manual apply only to intended uses of the machine.

If you use your machine for any unintended uses that are not specifically prohibited, you must be sure that it is safe for you and others. In no event should you or others engage in prohibited uses of actions as described in this manual.

2. **Inspect** the jobsite and **follow** the safety recommendations in the **safety hints** section before operating the machine.

3. Use **genuine Hyundai spare parts** for the replacement of parts.

We expressly point out that Hyundai will not accept any responsibility for defects resulting from non-genuine parts or non workmanlike repair.

In such cases Hyundai cannot assume liability for any damage.

Continuing improvements in the design of this machine can lead to changes in detail which may not be reflected in this manual. Consult Hyundai or your Hyundai distributor for the latest available information for your machine or for questions regarding information in this manual.

## BEFORE SERVICING THIS MACHINE

It is the responsibility of the owner and all service and maintenance personnel to avoid accidents and serious injury by keeping this machine properly maintained.

It also is the responsibility of the owner and all service and maintenance personnel to avoid accidents and serious injury while servicing the machine.

No one should service or attempt to repair this machine without proper training and supervision.

All service and maintenance personnel should be thoroughly familiar with the procedures and precautions contained in this manual.

All personnel also must be aware of any federal, state, provincial or local laws or regulations covering the use and service of construction equipment.

The procedures in this manual do not supersede any requirements imposed by federal, state, provincial or local laws.

Hyundai can not anticipate every possible circumstance or environment in which this machine may be used and serviced.

All personnel must remain alert to potential hazards.

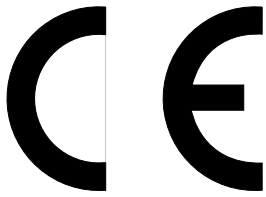
Work within your level of training and skill.

Ask your supervisor if you are uncertain about a particular task. Do not try to do too much too fast.

Use your common sense.

## EC REGULATION APPROVED

- Noise level (EN474-1 ANNEX4.10 and 2000/14/EC) are as followings.  
LWA : 98dB(EU only)  
LPA : 78dB
- The value of vibrations transmitted by the operator's seat are lower than standard value of (EN474-1 ANNEX 4.3.1.3)



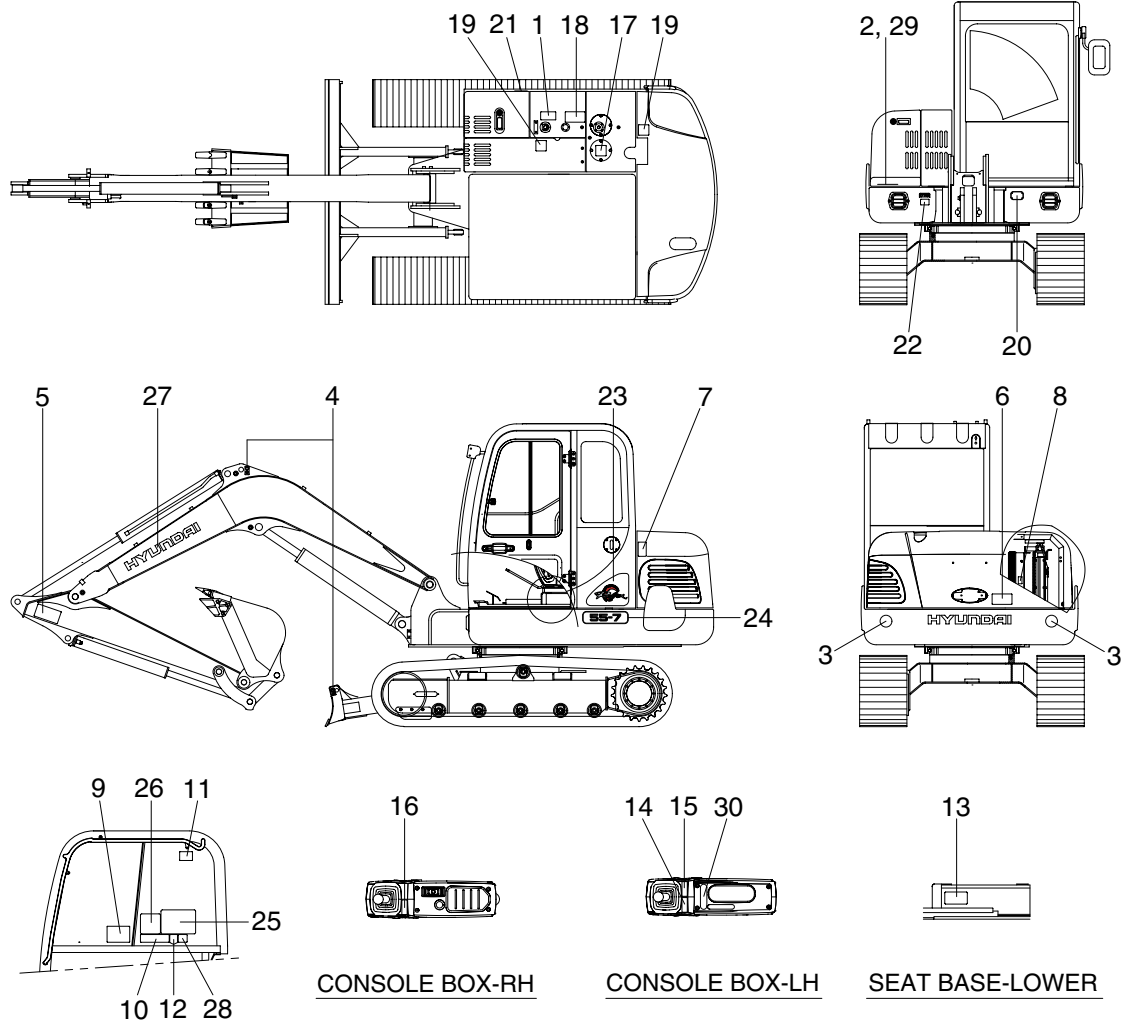
**TABLE TO ENTER SERIAL NO. AND DISTRIBUTOR**

Machine Serial No.	
Engine Serial No.	
Manufacturing year	
Manufacturer Address	Hyundai Heavy Industries co., Ltd. 1 Chonha-Dong, Dong-Ku Ulsan The Republic of Korea.
Distributor for U.S.A Address	Hyundai Heavy Industries U.S.A, Inc 955 Estes Avenue EIK Grove village IL, 60001 U.S.A
Distributor for Europe Address	Hyundai Heavy Industries Europe N. V. Vossendal 11 2240 Geel Belgium
Dealer Address	

# SAFETY LABELS

## 1. LOCATION

Always keep these labels clean. If they are lost or damaged, attach them again or replace them with a new label.



- |    |                        |    |                           |    |                       |
|----|------------------------|----|---------------------------|----|-----------------------|
| 1  | Fueling                | 11 | Safety front window       | 21 | General warning-frame |
| 2  | Battery-accident       | 12 | Emergency exit            | 22 | Indicate-grease       |
| 3  | Reflecting             | 13 | Decal-aircon filter       | 23 | Robex                 |
| 4  | Lifting point ideogram | 14 | Decal console filing      | 24 | Model name            |
| 5  | Keep clear-boom/arm    | 15 | Control ideogram-LH       | 25 | Service instruction   |
| 6  | Keep clear-rear        | 16 | Control ideogram-RH       | 26 | Lifting chart         |
| 7  | Keep clear-rear        | 17 | Hydraulic oil lubrication | 27 | Trade mark-boom       |
| 8  | Caution-engine room    | 18 | Falling                   | 28 | Boom swing lock       |
| 9  | Control ideograms      | 19 | No step-engine hood       | 29 | ECU connector(#1459~) |
| 10 | General cautions-cabin | 20 | Name plate                | 30 | Safety lever(#1556~)  |

R5570SL01A



## 1. SUGGESTION FOR NEW MACHINE

- 1) It takes about 100 operation hours to enhance its designed performance.
- 2) Operate according to below three steps and avoid excessive operation for the initial 100 hours.

Service meter	Load
Until 10 hours	About 60%
Until 100 hours	About 80%
After 100 hours	100%

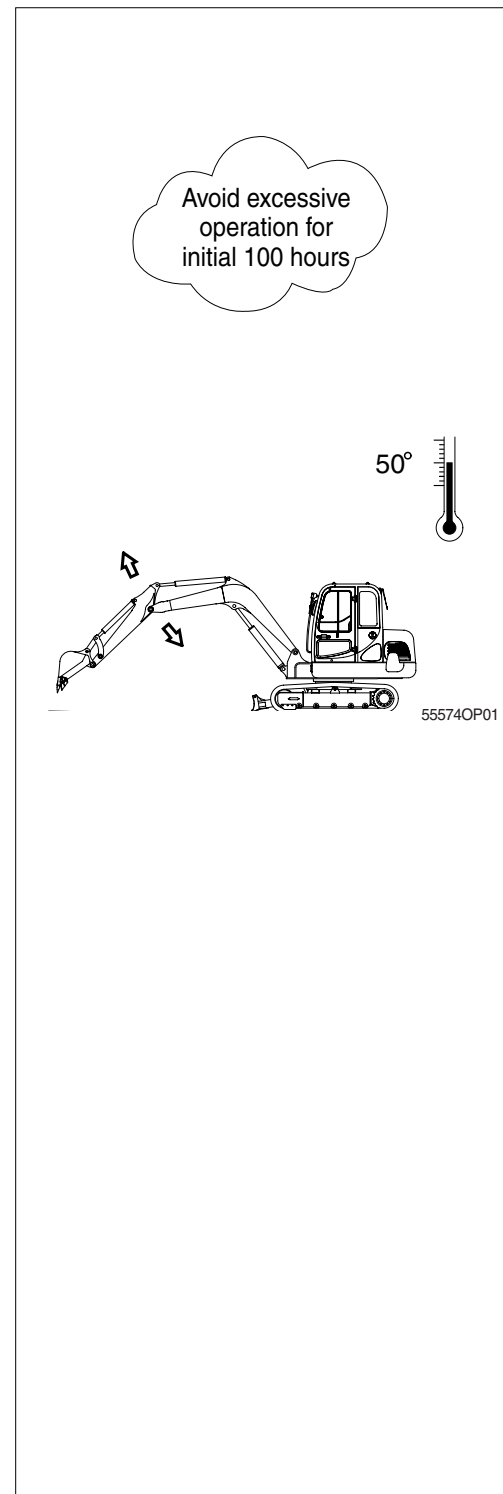
※ **Excessive operation may deteriorate the potential performance of machine and shorten lifetime of the machine.**

### 3) Be careful during the initial 100 hours operation

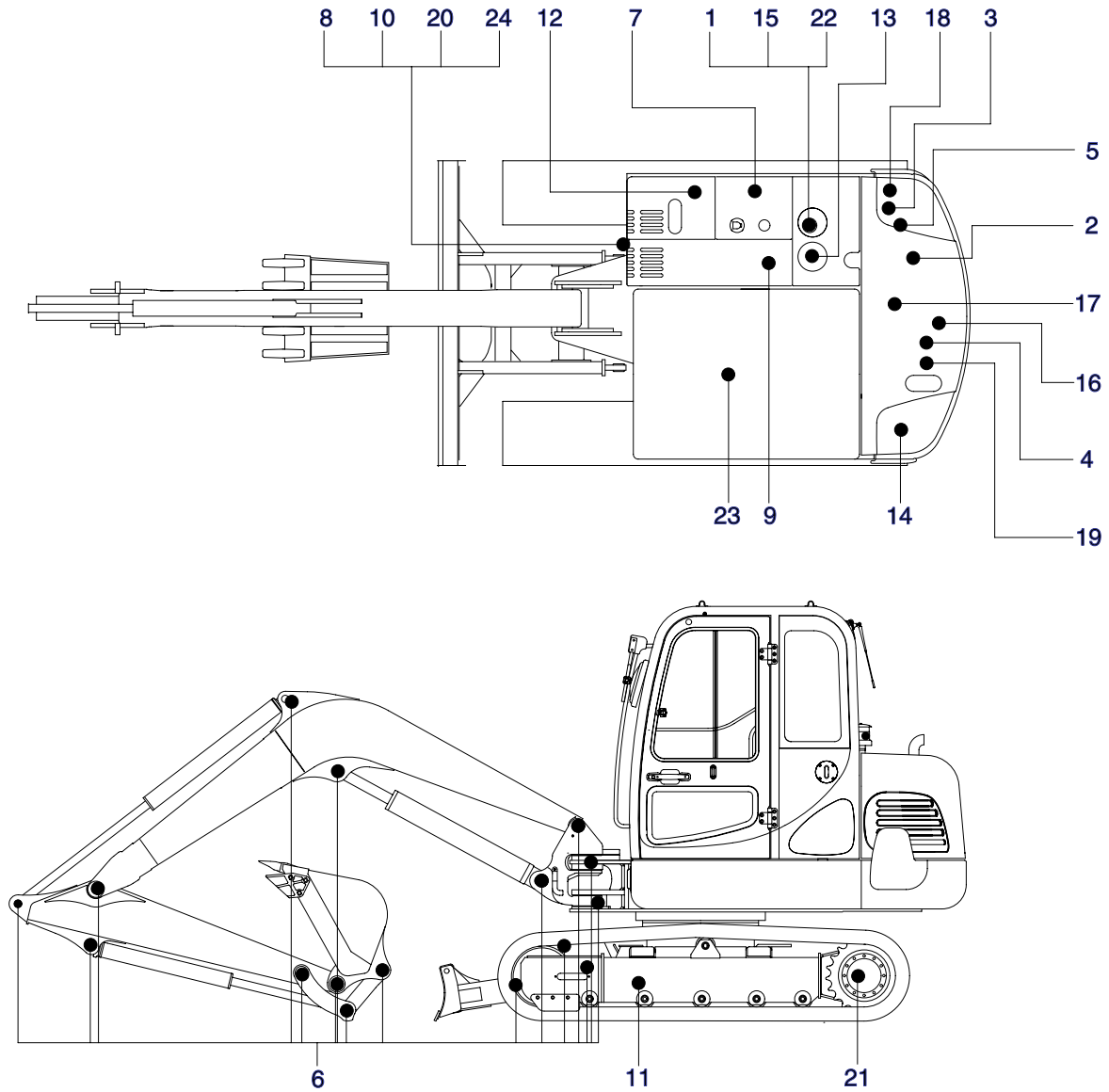
- (1) Check daily for the level and leakage of coolant, engine oil, hydraulic oil and fuel.
- (2) Check regularly the lubrication and fill grease daily all lubrication points.
- (3) Tighten bolts.
- (4) Warm up the machine fully before operation.
- (5) Check the gauges occasionally during the operation.
- (6) Check if the machine is operating normally during operation.

### 4) Replace followings after initial 50 hours of operation

Checking items	Service
Engine oil	Replace
Engine oil filter element	
Hydraulic oil return filter element	
Line filter element	
Fuel filter	



## 5. MAINTENANCE CHART



R5576MA05A

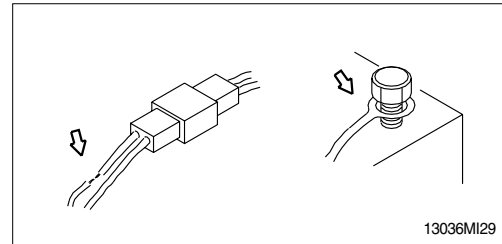
### Caution

1. Service intervals are based on the hour meter reading.
2. The number of each item shows the lubrication point on the machine.
3. Stop engine while filling oil, and use no open flames.
4. For other details, refer to the service manual.

## 7. ELECTRICAL SYSTEM

### 1) WIRING, GAUGES

Check regularly and repair loose or malfunctioning gauges when found.



### 2) BATTERY

#### (1) Check and repair

① Check the electrolyte level and fill with distilled water to the prescribed level as necessary.

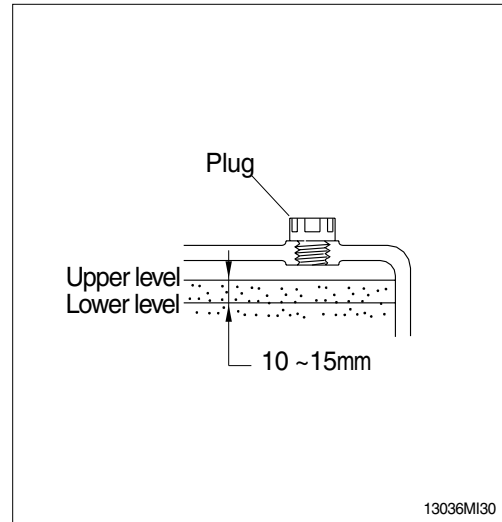
② Wash the terminal with hot water if it is contaminated, and apply grease to the terminals after washing.

⚠ **Do not stain clothes or skin with electrolyte as it is acid.**

**Be careful not to get the electrolyte in eyes.**

**Wash with clean water and go to the doctor if it enters the eyes.**

※ **Remove the fire and spark around battery.**

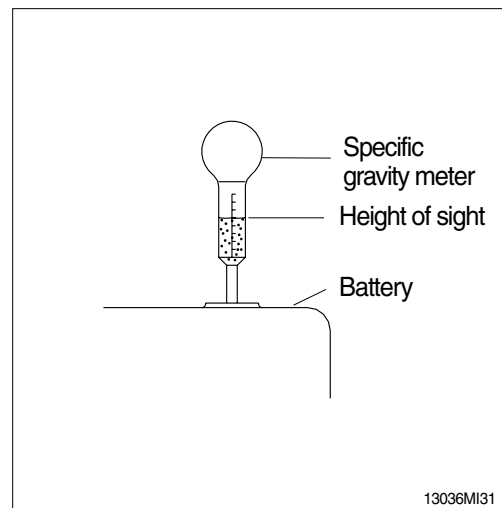


#### (2) Specific gravity of battery

Judge the charging rate of battery by the specific gravity. The specific gravity changes by the ambient temperature.

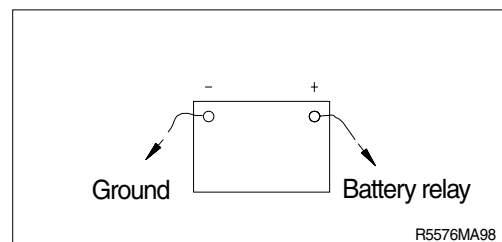
Check the charging rate by referring to the chart below.

Temperature	20°C (68°F)	10°C (50°F)	-10°C (14°F)
Charging rate			
100%	1.26	1.27	1.28
90%	1.24	1.25	1.26
80%	1.22	1.23	1.24
75%	1.21	1.22	1.23



#### (3) Method of removing the battery cable

Remove the cable from the ground connection first(⊖ terminal side) and reconnect it last when reassembling.



### 3) STARTING THE ENGINE WITH A BOOSTER CABLE

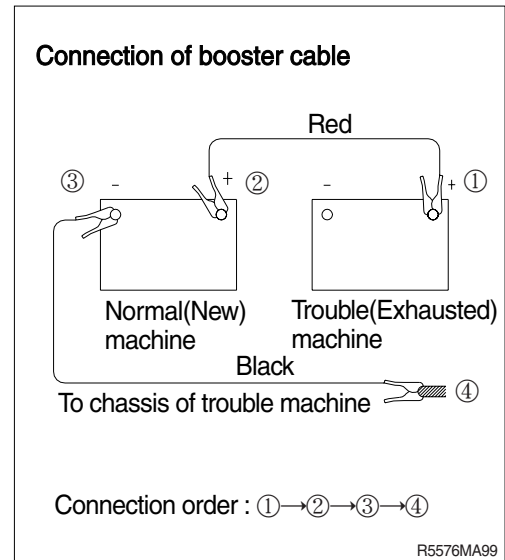
Keep following order when you are going to start engine using booster cable.

#### (1) Connection of booster cable

※ Use the same capacity of battery for starting.

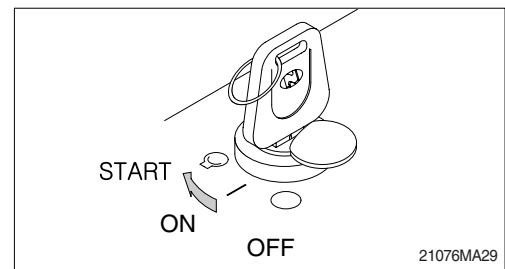
- ① Make sure that the starting switches of the normal machine and trouble machine are both at the OFF position.
- ② Connect the red terminal of booster cable to the battery (+) terminal between exhausted and new battery.
- ③ Connect the black terminal of the booster cable between new battery (-) terminal and chassis of trouble machine.

※ Keep firmly all connection, the spark will be caused when connecting finally.



#### (2) Starting the engine

- ① Starting the engine of the normal machine and keep it to run at high idle.
- ② Start engine of the trouble machine with starting switch.
- ③ If you can not start it by one time, restart the engine after 2 minutes.



#### (3) Taking off the booster cable

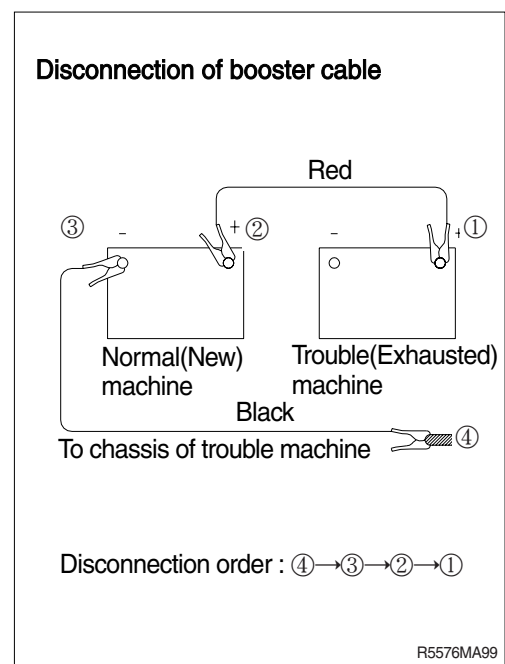
- ① Take off the booster cable(black).
- ② Take off the booster cable(red) connected to the (+) terminal.
- ③ Run engine with high idle until charging the exhausted battery by alternator, fully.

▲ Explosive gas is generated while using the battery or charging it. Keep away flame and be careful not to cause the spark.

※ Charge the battery in the well ventilated place.

※ Place the machine on the earth or concrete. Avoid charging the machine on the steel plate.

※ Do not connect (+) terminal and (-) terminal when connecting booster cable because it will be shorted.



<b>A</b>	
After engine start .....	4-5
Air breather element .....	6-29
Air cleaner filter .....	6-24
Air conditioner & heater .....	3-15
Air conditioner filter .....	6-40
Attachment lowering .....	4-18
<b>B</b>	
Battery .....	6-36
Before starting engine .....	4-2
Boom lowering .....	4-18
Bucket replacement .....	6-33
Bucket selection guide .....	2-7
Bucket tooth replacement .....	6-34
<b>C</b>	
Cab device .....	3-1
Cassette & radio .....	3-15
Changing machine control pattern .....	4-21
Cigar lighter .....	3-20
Coolant .....	6-20
Cooling fan .....	6-24
<b>D</b>	
Dozer control .....	4-7
<b>E</b>	
Emergency exit .....	0-9
Engine oil filter .....	6-18
Engine oil level .....	6-18
Engine starting & stop .....	4-3
Engine starting by booster .....	6-37
Engine stop .....	4-6
<b>F</b>	
Fan belt .....	6-23
Fuel filter .....	6-26
Fuel leakage .....	6-26
Fuel system bleeding .....	6-26
Fuel tank .....	6-25
Fuse box .....	3-19
<b>H</b>	
Hydraulic breaker .....	8-1
Hydraulic oil changing .....	6-27
Hydraulic oil filling .....	6-27
Hydraulic oil level .....	6-27
<b>L</b>	
Levers & pedals .....	3-10
Lifting capacities .....	2-5
Lubricant specification .....	2-16, 6-10
<b>M</b>	
Maintenance check list .....	6-11
Major component .....	2-1
Monitor panel .....	3-2
Mounting and dismounting .....	1-12
<b>N</b>	
New machine operation .....	4-1
<b>O</b>	
Oil cooler .....	6-23
Operating pattern .....	4-21
<b>P</b>	
Pedals .....	3-10
Periodical replacement parts .....	6-5
Pilot line filter .....	6-29
<b>R</b>	
Radiator flushing .....	6-20
Radio .....	3-15
RCV lever lubricate .....	6-31
Recommended oils .....	2-16, 6-10
Relieving pressure .....	6-3
Return filter .....	6-28
<b>S</b>	
Safety hints .....	1-1
Safety labels .....	0-5
Safety parts .....	6-5
Seat .....	3-18
Seat belt .....	3-18

Service meter .....	3-3
Speciation for major component .....	2-13
Specification .....	2-2
Start switch .....	3-7
Storage .....	4-19
Suction strainer .....	6-28
Swing bearing grease .....	6-30
Swing reduction gear oil .....	6-29
Switch panel .....	3-7
Switches .....	3-7

## T

Torques-major component .....	6-8
Torques-fastener .....	6-6
Towing machine .....	4-10
Track adjustment .....	6-32
Track shoe .....	2-12
Transportation .....	5-1
Travel reduction gear oil .....	6-31
Travelling machine .....	4-8
Troubleshooting guide .....	7-1

## U

Undercarriage .....	2-12
---------------------	------

## W

Warming up operation .....	4-5
Warning lamps .....	3-4
Water separator .....	6-25
Weight .....	2-4
Working device operation .....	4-7
Working method .....	4-11
Working range .....	2-3

Diesel Engines

ABS	Agco-Sisu
Akasaka	Baudouin
BMW	Bukh
Caterpillar	CHN 25/34
Cummins	Daihatsu
Detroit	Deutz
Doosan-Daewoo	Fiat
Ford	GE
Grenaa	Guascor
Hanshin	Hatz
Hino	Honda
Hyundai	Isotta
Isuzu	Iveco
John-Deere	Kelvin
Kioti	Komatsu
Kubota	Liebherr
Lister	Lombardini
MAK	MAN B&W
Mercedes	Mercruiser
Mirrlees BS	Mitsubishi
MTU	MWM
Niigata	Paxman
Perkins	Pielstick
Rolls / Bergen	Ruggerini
Ruston	Scania
Shibaura	Sisu-Valmet
SKL	Smit-Bolnes
Sole	Stork
VM-Motori	Volvo
Volvo Penta	Westerbeke
Wichmann	Yanmar

Machinery

ABG	Airman
Akerman	Ammann
Astra	Atlas Copco
Atlas Weyha.	Atlet
Bell	Bendi
Bigjoe	Bobcat
Bomag	BT
Carelift	Case
Caterpillar	Cesab
Challenger	Champion
Claas	Clark
Combilift	Crown
Daewoo-Doosan	Demag
Deutz-Fahr	Dressta

Machinery

Drott	Dynapack
Extec	Faun
Fendt	Fiat
Fiatallis	Flexicoil
Furukawa	Gehl
Genie	Grove-gmk
Halla	Hamm
Hangcha	Hanix
Hanomag	Hartl
Haulpack	Hiab
Hidromek	Hino truck
Hitachi	Hyster
Hyundai	IHI
Ingersoll-rand	JCB
JLG	John-Deere
Jungheinrich	Kalmar
Kato	Kioti
Kleeman	Kobelco
Komatsu	Kramer
Kubota	Lamborghini
Landini	Liebherr
Linde	Link-belt
Manitou	Massey-Ferg.
Mccormick	MDI-Yutani
Mitsubishi	Moxy
Mustang	Neusson
New-Holland	Nichiyu
Nissan	OK
OM-Pimespo	others-tech
Pel-Job	PH-mining
Poclain	Powerscreen
Same	Samsung
Sandvik	Scania
Schaefer	Schramm
Sennebogen	Shangli
Shibaura	Steiger
Steinbock	Steyr
Still	Sumitomo
Super-pac	Tadano
Takeuchi	TCM
Terex	Toyota
Valpadana	Venieri
Versatile	Vogele
Volvo	Weidemann
Wirtgen	Yale
YAM	Yanmar