


# OPERATION MANUAL

*Relex* 75-7

SER. NO. HY7570001~

 **HYUNDAI**  
HEAVY INDUSTRIES CO.,LTD.

[\*http://marengine.com/r75-7-excavator\*](http://marengine.com/r75-7-excavator)

# INTRODUCTION

## **⚠ WARNING**

Read this manual carefully before operating the machine to ensure safe and optimum running conditions. If you do not understand any of the points in the manual, or the machine breaks down, contact your dealer. In particular, attention needs to be paid to the following points.

- Read this operation manual if you have any questions or doubts on any point to ensure proper and safety excavator operation.
- Keep this operation manual in the excavator at any time to ensure readily access to it in case a need for it arises.
- Be sure to hand over this operation manual to the new owner if the ownership of the excavator is to be transferred.
- Make every possible effort to ensure proper and safety operation of the excavator.

- Note that a portion of the contents of this instruction manual may differ from the excavator you have purchased, which is mainly due to the improvements adopted for it.
- Consult our marketing staff if you have any questions or comments on this operation manual.

# CONTENTS

## OPERATION

Safety Decals .....	1
Basic Precautions on Safety .....	3
Safety Precautionary Notes before Start .....	4
Safety Precautions during Operation .....	6
Safety Precautions during Inspection and Maintenance .....	15
Safety Post Operational Caution .....	18
Part Names .....	19
Explanation of Each Device .....	21
Operation .....	28
Operational Precautions .....	32
Transporting by Truck .....	39
Machine Traction .....	41
How to Hoist a Machine .....	42
Cold Weather or During-Winter Operations .....	44
Long-Period Storage .....	46

## INSPECTION AND MAINTENANCE

Ordering Parts and Servicing Guidelines .....	47
Inspections .....	48
Maintenance after the First 50 Service Hours (New Machine) .....	53
Maintenance after the First 100 Service Hours (New Machine) .....	54
Maintenance Every 50 Service Hours .....	55
Maintenance Every 100 Service Hours .....	57
Maintenance Every 250 Service Hours .....	58
Maintenance Every 500 Service Hours .....	59
Maintenance Every 1000 Service Hours .....	61
To Pressurize .....	62
Inspection and Maintenance Procedures .....	64
Periodical Inspections and Maintenance List .....	70
Lubricants .....	72

## OTHERS

Dimensions and Specifications .....	76
PTO Flow .....	78
Lifting Capacities .....	79
Hydraulic Circuit .....	82
Electric Circuit .....	83

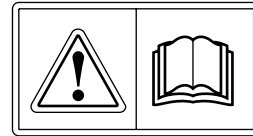
# **OPERATION**

# SAFETY DECALS

## Explanations

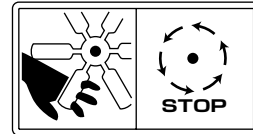
### Caution:

Read the Operation and Service Manual *before* operating the machine to avoid risk of injury.



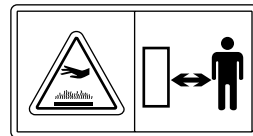
### Danger:

Make sure the engine is stopped before working of any part of the engine compartment to avoid risk of injury.



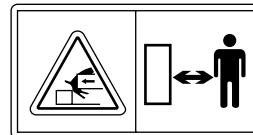
### Caution: Hot surfaces

Keep hands and arms away from hot surfaces.



### Danger: Stay clear of the rear of the machine

Keep a safe distance from turning radius of the machine to avoid risk of injury.

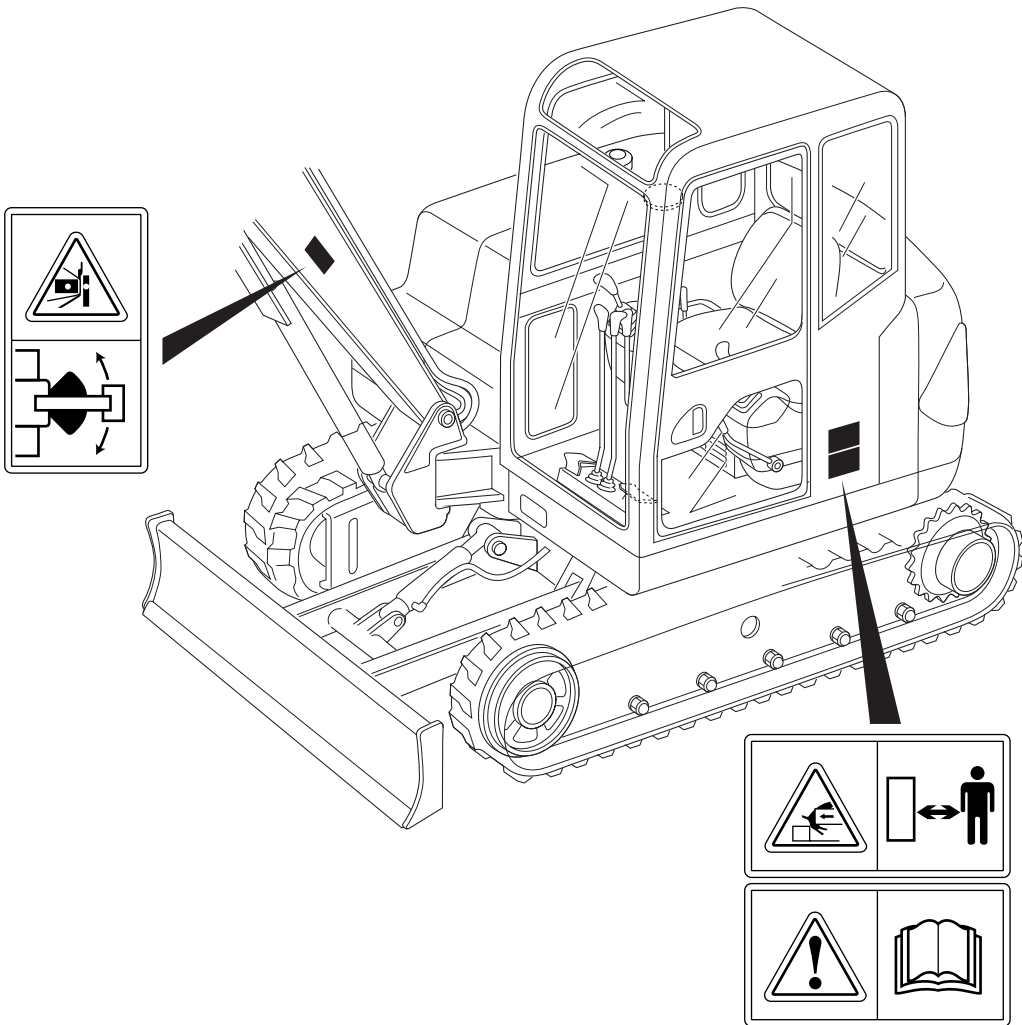
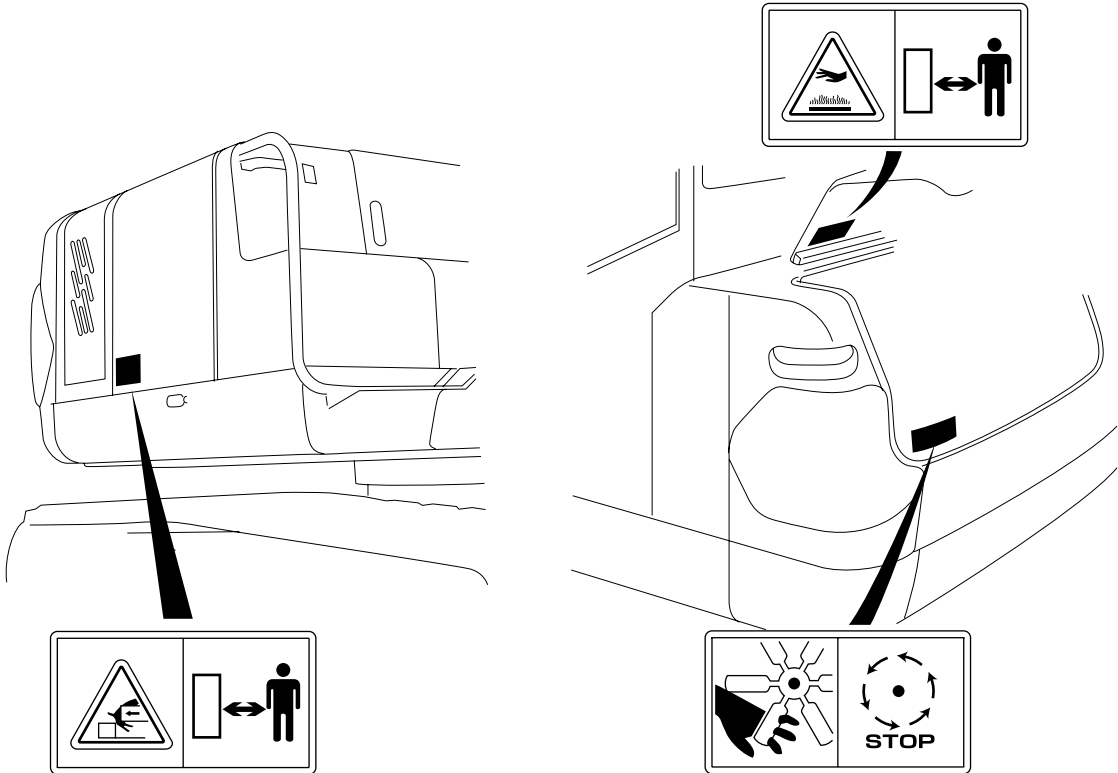


### Danger: Stay clear of the working equipment

Keep a safe distance from turning radius of the boom, arm, bucket and any other lifted equipment to avoid risk of injury.



# LOCATION OF SAFETY DECALS

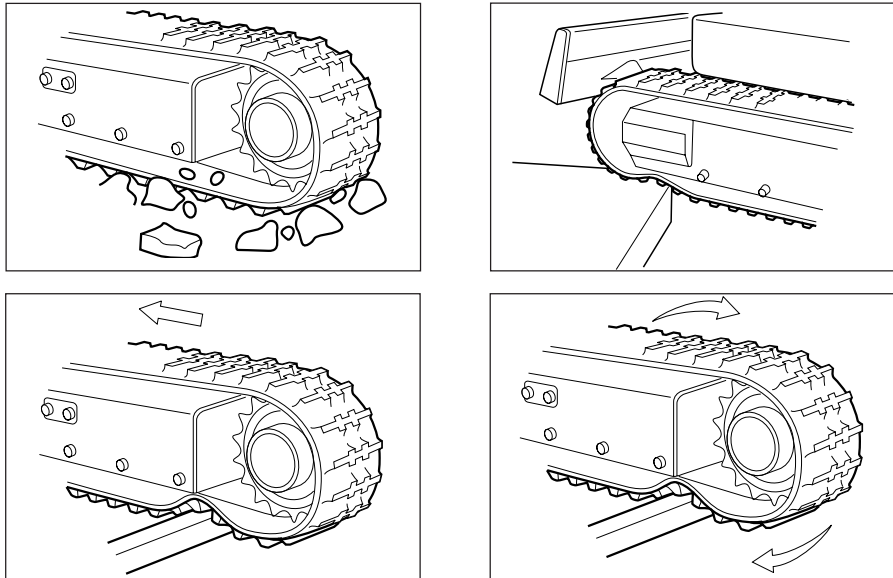


# OPERATIONAL PRECAUTIONS

## OPERATING THE RUBBER CRAWLER

### Do not Travel or Turn on a Sharp Edge or Stepped Grade.

If you travel or turn on a projecting edge or a stepped grade, the machine will put an extra load on the rubber crawler causing it to split or cut the treads of the rubber crawler and the inner steel cord.



### Prevent Foreign Matter from Entering the Rubber Crawler

Foreign matter will strain the crawler and cut it.

### Make sharp Turns

Do not turn sharply on road with a high-friction factor such as a concrete road.

### Keep Oil Products Away from the Rubber Crawler

If you spill fuel or hydraulic fluid on the rubber crawler, clean it.

### Protection from Salt

Do not operate on a beach. (Core metal will rust due to salt corrosion.)

### Attention to indoor Storage

If the machine is not used for a long time, keep it indoors to prevent exposure to direct sunlight and rain.

#### ⚠ CAUTION

- Be careful to operate the machine with rubber shoes.
- Rubber shoe isn't more stable than steel because of its flexibility.

#### ⚠ WARNING

Even a rubber shoe is easy to slip on frozen or snow surface. Be careful to travel and work under its condition.

#### ⚠ CAUTION

- Driving and slewing on a projecting edge or so cause slacking a rubber shoe to be apt to remove it or cut the inner steel code.
- Driving and slewing with trackroller banked against the rubber shoe is apt to remove the rubber shoe.

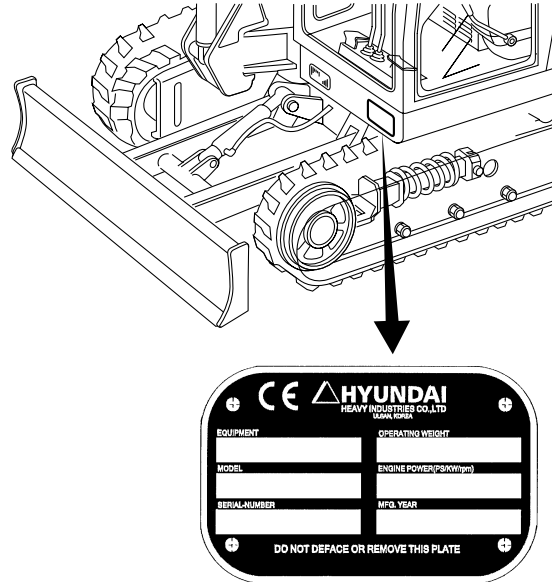


## **INSPECTION AND MAINTENANCE**

# ORDERING PARTS AND SERVICING GUIDELINES

## Order of Parts

Inform the dealer the part name, the part number and machine's serial No.(SER.No.) when ordering parts.

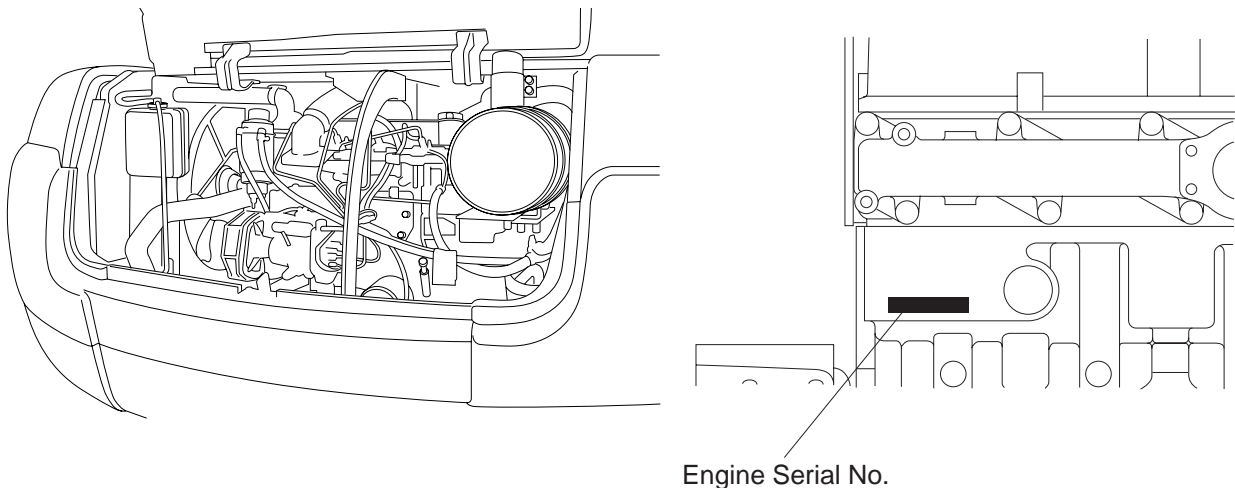


## Troubleshooting

Inform the dealer the type name, serial number (SER.No.) and accumulated operation hours on the hour meter.

Use the hour meter as follows.

- Write down the values before and after the operation in the daily report.
- The hour meter indicates when to replace the filter and oil.



# INSPECTIONS

Do the following inspections. Neglecting any of the inspections may result in trouble with the machine including the hydraulic equipment.

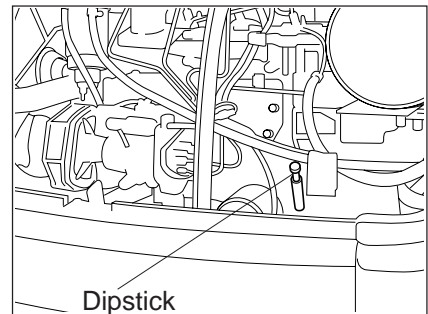
## Prestart Inspections

Check the following items before operation everyday.

### ⚠ CAUTION

- For inspection, always park the machine on level ground.
- Keep other persons away from the machine while inspecting it.
- Before inspection and maintenance, be sure to stop the engine.

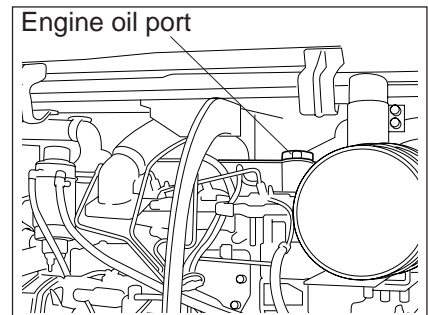
1. Checking the amount of oil in the engine oil pan.  
Pull out the dipstick Wipe the oil off the dipstick using a cloth and insert it again.  
If the oil amount is insufficient, add engine oil through the oil port.



### IMPORTANT

Use high-quality engine oil. It is recommended to use the following engine oils.

3	Engine oil	SAE15W-30
	Capacity	MAX. 7.5 ℓ



### ⚠ WARNING

- Do not inspect engine oil level after stopping the engine immediately. Engine oil is so hot that it is dangerous and it takes 30 minutes that the engine oil thoroughly flows down the crankcase. Inspect it before working or after 30 minutes after the engine has stopped.
- Take care not to add too much engine oil.
- Check that the engine oil level 30 minutes after replenishment.

### IMPORTANT

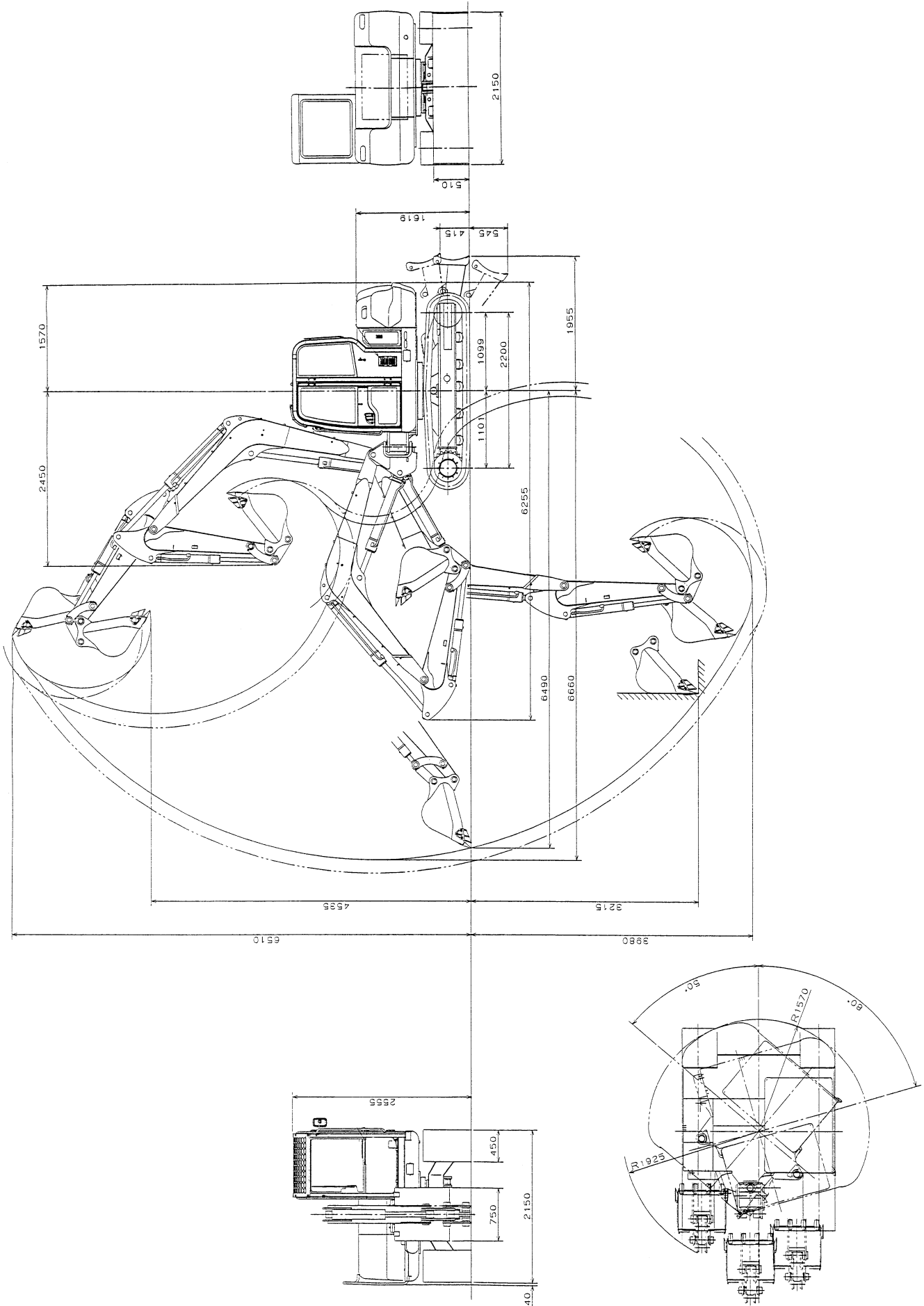
Also check the sample oil on the dipstick for fouling and degrees of viscosity.

### ⚠ CAUTION

In adding oil, take care not to spill it. If you spill oil, wipe it properly, or this could lead to fire and the risk of personal injury and equipment damage.

**OTHERS**

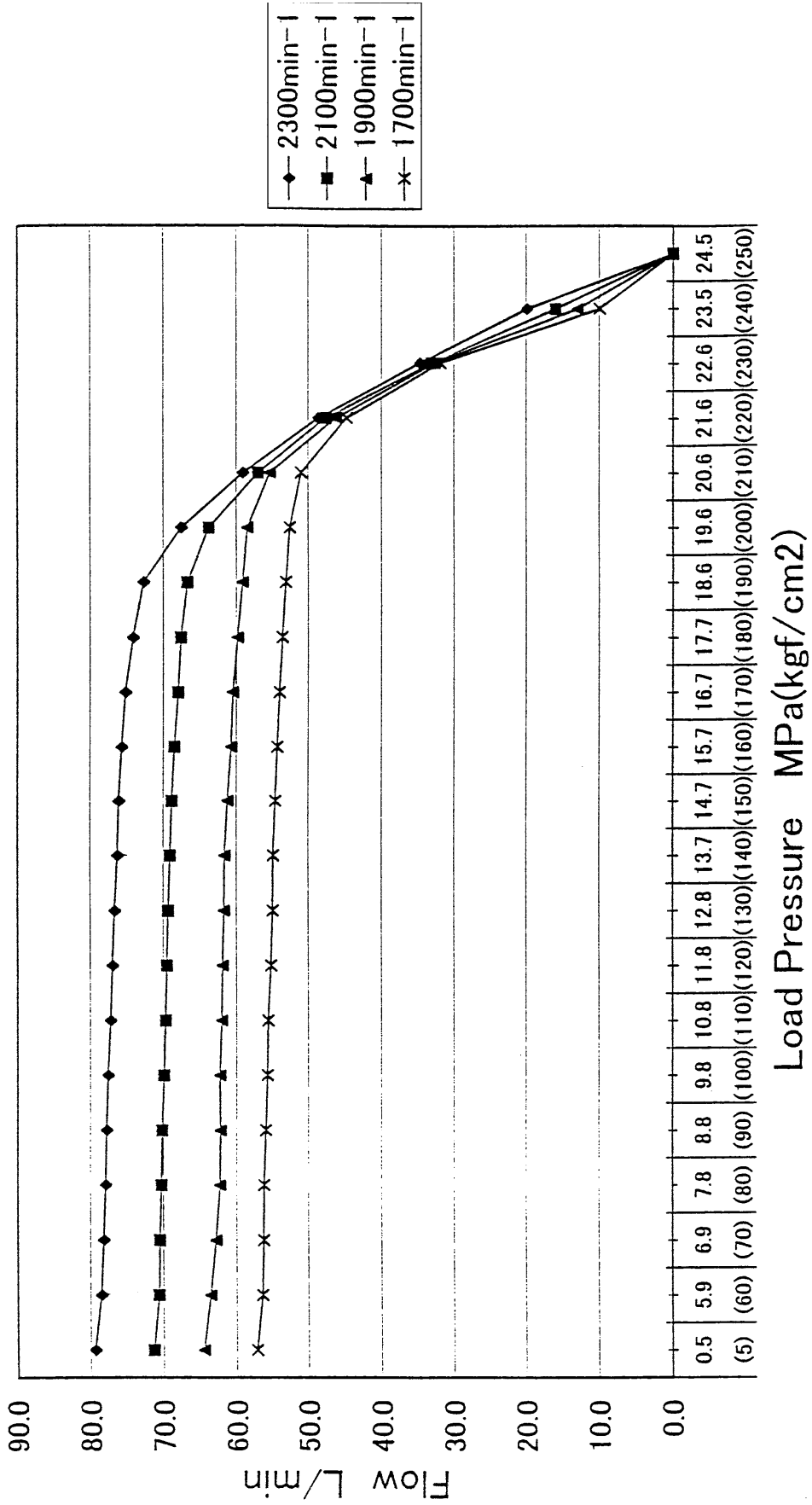
# DIMENSIONS AND SPECIFICATIONS



## DIMENSIONS AND SPECIFICATIONS

Description		Unit	Robex75-7	
Machine weight	Rubber shoe	Kg	7430	
	Steel shoe		7530	
Standard bucket	Capacity	m <sup>3</sup>	0.25	
	Width	mm	750	
Engine	Maker, model		MITSUBISHI S4S	
	Rated power	ps(kW)/min <sup>-1</sup>	55.5(40.8)/2300	
	Displacement	cc	3331	
Working range	Max.digging depth	mm	3980	
	Max.vertical digging depth		3215	
	Max.digging height		6510	
	Max.dumping height		4535	
	Max.digging reach		6660	
	Min.swing radius		Front	2450
			Swing	1925
	Rear end radius		1570	
Boom swing angle	deg	Left80/Right50		
Dimension	Overall length	mm	6255	
	Overall width		2150	
	Overall height		2555	
	Dozer(width × height)		2150×510	
Performance	Travel speed	km/hr	3.1 / 4.8	
	Swing speed	min <sup>-1</sup>	9.7	
	Gradeability	deg(%)	30(58)	
	Max.digging force	Bucket	kN(kgf)	53.6(5465)
		Arm		39.8(4061)
Max. drawbar pull		57.5(5865)		
Under-carriage	Ground pressure	Canopy&rubber shoe	kpa(kgf/cm <sup>2</sup> )	33.9(0.35)
		Cabin&rubber shoe	34.4(0.35)	
	Tumbler distance × track gauge	mm	2200×1700	
	Track shoe width		450	
	Type of travelling motor		Piston shoe-in type	
Crawler tension system		Grease cylinder		
Hydraulic	Type of hydraulic pump		Piston×2, Gear×1	
	Pump oil flow	ℓ /min	2×78.2+46.7	
	Auxiliary circuit oil flow		78.2	
	Relief valve setting pressure	MPa(kgf/cm <sup>2</sup> )	25.5/23.5(260/240)	
Capacity	Hydraulic oil tank	ℓ	85	
	Engine oil		7.5	
	Fuel tank		130	
	Cooling water		10.0	
Noise	Noise level(LwA/LpA)	dB	98 / 78	

# PTO FLOW



Diesel Engines

ABS	Agco-Sisu
Akasaka	Baudouin
BMW	Bukh
Caterpillar	CHN 25/34
Cummins	Daihatsu
Detroit	Deutz
Doosan-Daewoo	Fiat
Ford	GE
Grenaa	Guascor
Hanshin	Hatz
Hino	Honda
Hyundai	Isotta
Isuzu	Iveco
John-Deere	Kelvin
Kioti	Komatsu
Kubota	Liebherr
Lister	Lombardini
MAK	MAN B&W
Mercedes	Mercruiser
Mirrlees BS	Mitsubishi
MTU	MWM
Niigata	Paxman
Perkins	Pielstick
Rolls / Bergen	Ruggerini
Ruston	Scania
Shibaura	Sisu-Valmet
SKL	Smit-Bolnes
Sole	Stork
VM-Motori	Volvo
Volvo Penta	Westerbeke
Wichmann	Yanmar

Machinery

ABG	Airman
Akerman	Ammann
Astra	Atlas Copco
Atlas Weyha.	Atlet
Bell	Bendi
Bigjoe	Bobcat
Bomag	BT
Carelift	Case
Caterpillar	Cesab
Challenger	Champion
Claas	Clark
Combilift	Crown
Daewoo-Doosan	Demag
Deutz-Fahr	Dressta

Machinery

Drott	Dynapack
Extec	Faun
Fendt	Fiat
Fiatallis	Flexicoil
Furukawa	Gehl
Genie	Grove-gmk
Halla	Hamm
Hangcha	Hanix
Hanomag	Hartl
Haulpack	Hiab
Hidromek	Hino truck
Hitachi	Hyster
Hyundai	IHI
Ingersoll-rand	JCB
JLG	John-Deere
Jungheinrich	Kalmar
Kato	Kioti
Kleeman	Kobelco
Komatsu	Kramer
Kubota	Lamborghini
Landini	Liebherr
Linde	Link-belt
Manitou	Massey-Ferg.
Mccormick	MDI-Yutani
Mitsubishi	Moxy
Mustang	Neusson
New-Holland	Nichiyu
Nissan	OK
OM-Pimespo	others-tech
Pel-Job	PH-mining
Poclain	Powerscreen
Same	Samsung
Sandvik	Scania
Schaefer	Schramm
Sennebogen	Shangli
Shibaura	Steiger
Steinbock	Steyr
Still	Sumitomo
Super-pac	Tadano
Takeuchi	TCM
Terex	Toyota
Valpadana	Venieri
Versatile	Vogele
Volvo	Weidemann
Wirtgen	Yale
YAM	Yanmar