


SERVICE MANUAL

Relex 75-7

SER. NO. HY7570001~

 **HYUNDAI**
HEAVY INDUSTRIES CO.,LTD.

[*http://marengine.com/r75-7-excavator*](http://marengine.com/r75-7-excavator)

INTRODUCTION

To insure a long life for the machine and the engine and to prevent failure and problems, proper operation, maintenance and repairs are indispensable.

This service manual includes an “outline,” “structure and operation,” “inspection and adjustment,” “disassembly and assembly,” “standard maintenance,” and “repair and replacement of parts” of the machine which are necessary to carry out the inspections and repairs in the repair shop.

We hope that this manual helps you to efficiently and effectively carry out repairs by providing an accurate description of the product and the correct repair techniques.

CONTENTS

1. Precautions on Maintenance
2. Outline
3. Attachment
4. Engine
5. Main Pump
6. Hydraulic Oil Filter
7. Control Valve
8. Joystick
9. Pilot valve(1)(Travel)
10. Pilot valve(2)(Swing·PTO)
11. Pilot valve(3)(Dozer)
12. Slew Motor
13. Travel Motor
14. Hydraulic Cylinder
15. Swivel Joint
16. Crawler
17. Spring Case and Grease Cylinder
18. Idler
19. Sprocket
20. Track Roller
21. Carrier Roller
22. Electrical Equipment
23. Troubleshooting

1 PRECAUTIONS ON MAINTENANCE

1. Correct operation

Correct operation means to follow the correct “procedure” and “method.”

Procedure focuses on speed and accuracy of each job.

In the method, are addressed what type of facility, tools, instruments, materials, oil should be used, how and which part should be checked, adjusted or disassembled, and what matters to attend to.

2. Precautions on operation

1. Safety check

Check that stoppers and sleepers are correctly installed for the vehicle jack-up operation.

2. Preparation

Prepare all of the tools and inspect and adjust the instruments.

3. For efficiency

1) Understand the state before disassembly.

What is the problem? Is disassembly absolutely necessary?

2) Before disassembly

Determine whether match marks are necessary. For the electrical system, disconnect the cable from the battery terminal.

3) Precautions for disassembly

In stead of checking all of the disassembled parts at once, check each part individually as it is disassembled. When removing the hydraulic unit or the hoses, mount a dust cap on the connection.

4) Repair of disassembled parts

Keep the disassembled parts in order. Clearly distinguish the parts to be replaced with new parts from those to be reused. Packings, seals, rings, split pins must be replaced.

NOTE:

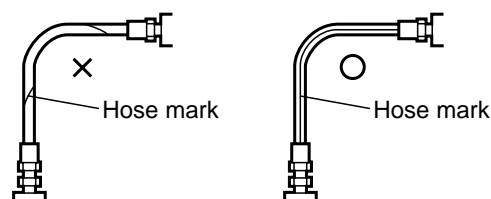
Electrical equipment, rubbers and V belts (which are easily affected by water and oil) must be handled carefully in order to prevent soiling them.

5) Clean disassembled parts

Thoroughly clean the disassembled parts.

6) Assembly

Perform the assembly correctly (tightening torque, application of Three Bond, screw lock, grease, use of seal tape, etc.). Also install the hose correctly.

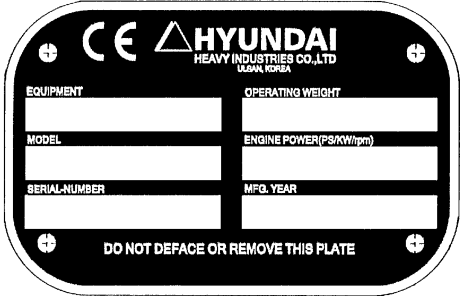
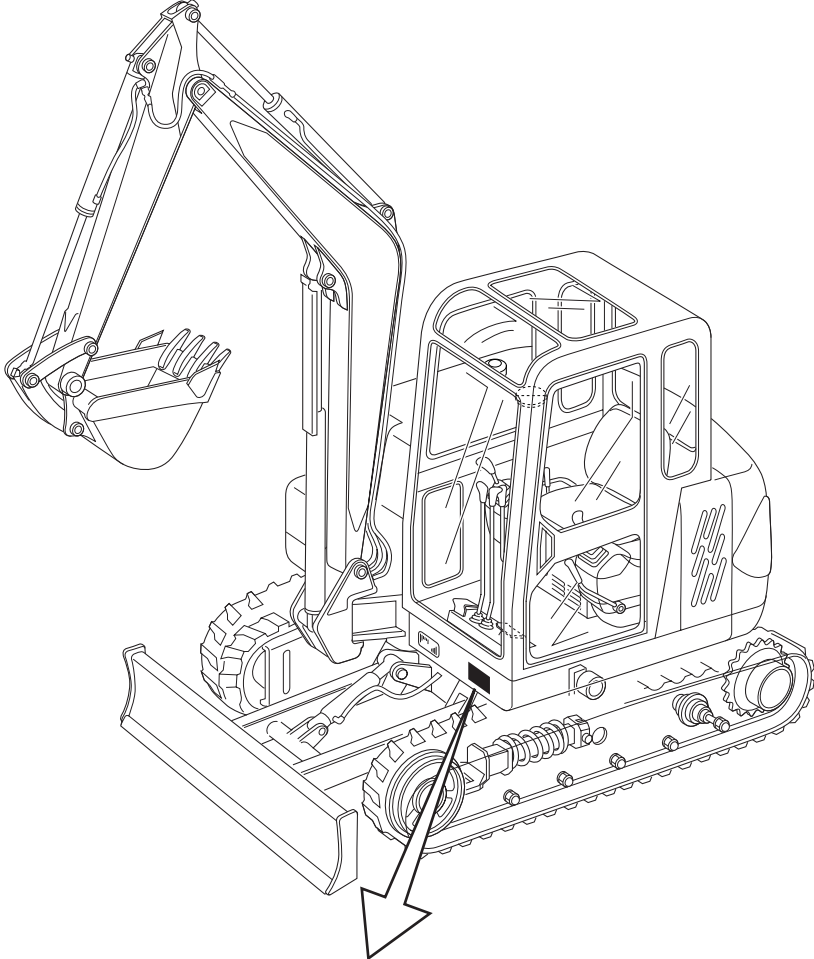


2 OUTLINE

CONTENTS

- 2-1 Location of serial No.
- 2-2 Name of each part
- 2-3 Dimensions and specification
- 2-4 Weight list
- 2-5 Oil and grease supply points
- 2-6 List of supply oil and grease
- 2-7 When to repair
- 2-8 Hydraulic circuit diagram

2-1 Location of Serial Number



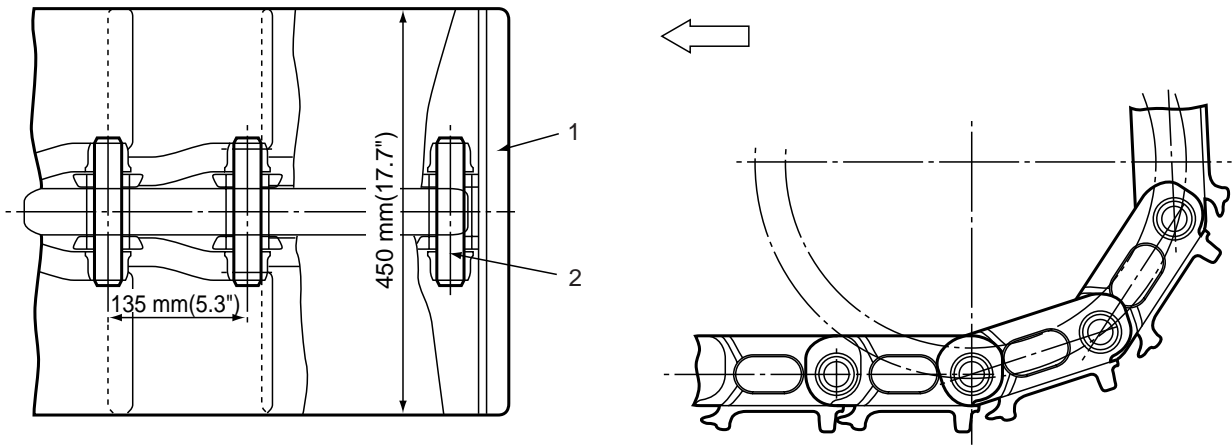
16 CRAWLER

CONTENTS

- 16-1 Structure and operation
 - 16-1-1 Crawler (Steel)
 - 16-1-2 Track frame
- 16-2 Standard of maintenance
 - 16-2-1 Crawler (Steel)
- 16-3 Disassembly and assembly
 - 16-3-1 Installing the crawler
 - 16-3-2 Removing the crawler
 - 16-3-3 Track frame spring
 - 16-3-4 Life of the rubber crawler
 - 16-3-5 Handling the rubber crawler

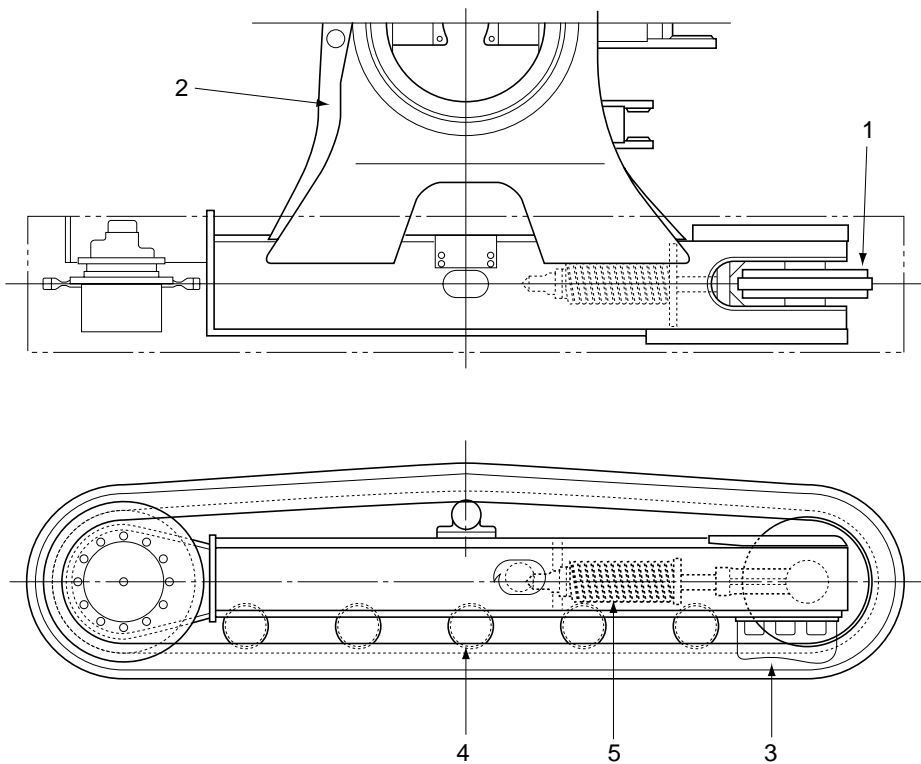
16-1 Structure and operation

16-1-1 Crawler (steel)



- 1. Shoe
- 2. Pin

16-1-2 Track frame



- 1. Idler
- 2. Track frame
- 3. Guard (for steel crawler)
- 4. Track roller
- 5. Spring

Diesel Engines

| | |
|----------------|-------------|
| ABS | Agco-Sisu |
| Akasaka | Baudouin |
| BMW | Bukh |
| Caterpillar | CHN 25/34 |
| Cummins | Daihatsu |
| Detroit | Deutz |
| Doosan-Daewoo | Fiat |
| Ford | GE |
| Grenaa | Guascor |
| Hanshin | Hatz |
| Hino | Honda |
| Hyundai | Isotta |
| Isuzu | Iveco |
| John-Deere | Kelvin |
| Kioti | Komatsu |
| Kubota | Liebherr |
| Lister | Lombardini |
| MAK | MAN B&W |
| Mercedes | Mercruiser |
| Mirrlees BS | Mitsubishi |
| MTU | MWM |
| Niigata | Paxman |
| Perkins | Pielstick |
| Rolls / Bergen | Ruggerini |
| Ruston | Scania |
| Shibaura | Sisu-Valmet |
| SKL | Smit-Bolnes |
| Sole | Stork |
| VM-Motori | Volvo |
| Volvo Penta | Westerbeke |
| Wichmann | Yanmar |

Machinery

| | |
|---------------|-------------|
| ABG | Airman |
| Akerman | Ammann |
| Astra | Atlas Copco |
| Atlas Weyha. | Atlet |
| Bell | Bendi |
| Bigjoe | Bobcat |
| Bomag | BT |
| Carelift | Case |
| Caterpillar | Cesab |
| Challenger | Champion |
| Claas | Clark |
| Combilift | Crown |
| Daewoo-Doosan | Demag |
| Deutz-Fahr | Dressta |

Machinery

| | |
|----------------|--------------|
| Drott | Dynapack |
| Extec | Faun |
| Fendt | Fiat |
| Fiatallis | Flexicoil |
| Furukawa | Gehl |
| Genie | Grove-gmk |
| Halla | Hamm |
| Hangcha | Hanix |
| Hanomag | Hartl |
| Haulpack | Hiab |
| Hidromek | Hino truck |
| Hitachi | Hyster |
| Hyundai | IHI |
| Ingersoll-rand | JCB |
| JLG | John-Deere |
| Jungheinrich | Kalmar |
| Kato | Kioti |
| Kleeman | Kobelco |
| Komatsu | Kramer |
| Kubota | Lamborghini |
| Landini | Liebherr |
| Linde | Link-belt |
| Manitou | Massey-Ferg. |
| Mccormick | MDI-Yutani |
| Mitsubishi | Moxy |
| Mustang | Neusson |
| New-Holland | Nichiyu |
| Nissan | OK |
| OM-Pimespo | others-tech |
| Pel-Job | PH-mining |
| Poclain | Powerscreen |
| Same | Samsung |
| Sandvik | Scania |
| Schaefer | Schramm |
| Sennebogen | Shangli |
| Shibaura | Steiger |
| Steinbock | Steyr |
| Still | Sumitomo |
| Super-pac | Tadano |
| Takeuchi | TCM |
| Terex | Toyota |
| Valpadana | Venieri |
| Versatile | Vogele |
| Volvo | Weidemann |
| Wirtgen | Yale |
| YAM | Yanmar |